

ORDERING INFORMATION

PART IDENTIFIER: SMT372503ALN2F

SPECIFICATIONS

1. ELECTRICAL:

Impedance:	50 Ω Nominal.
Frequency:	Dc – 2.2 GHz.
VSWR:	1.2:1 Max.
Input Power:	200 Watts. Chip Soldered to Mounting Surface. Mounting Surface Temperature Maintained At 100°C Maximum. Apply Linear De-Rating of Input Power To 0 Watts At 200°C.

2. ENVIRONMENTAL:

Non-Operating:	-55°C To +200°C.
Operating:	-55°C To +200°C.

3. MARKING:

Unit Marking:	None.
---------------	-------

4. QUALITY ASSURANCE:

Sample Inspect Per ANSI/ASQC Z1.4 General Inspection, Level II, AQL = 1.0.

Visual And Mechanical Per 824W154.

Dc Resistance: 50 Ω \pm 5 %.

Data Requirements:

No Test Data Required for Customer.

Data Retention - Standard.

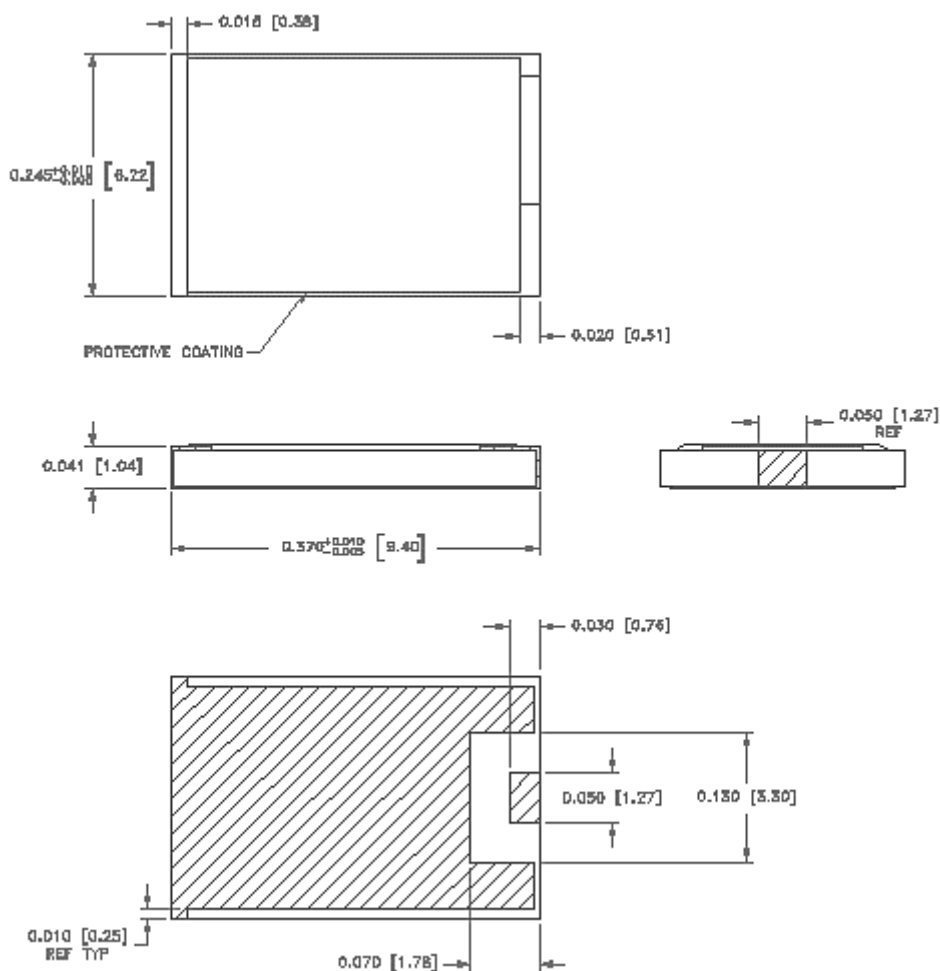
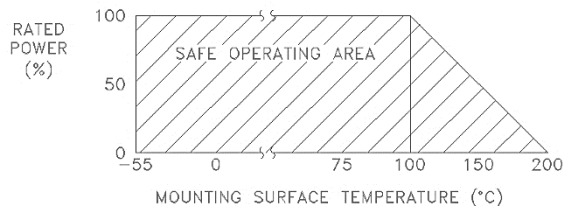
5. PACKAGING:

Standard Packing Per 755W002.

6. MECHANICAL:

Substrate:	Material- Aluminum Nitride, MIL-I-10.
Terminal & Ground Plane:	Material-Thick Film, Lead Free Plating, RoHS Compliant.
Resist:	Material-Thick Film.
Workmanship:	PER MIL-PRF-55342.

POWER RATING AND DERATING



Unless Otherwise Specified:

TOLERANCE: X.XXX = ± 0.005.