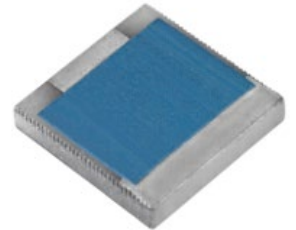


ORDERING INFORMATION

PART IDENTIFIER: CT2525



SPECIFICATIONS

1. ELECTRICAL:

| | |
|--------------------|--|
| Nominal Impedance: | 50 Ω . |
| Frequency Range: | DC- 4 GHz. |
| VSWR: | 1.35:1 Max. |
| Input Power CW: | Heat Sink 100°C: 50 Watts. (Derate Power Linearly to 0 Watts @ 125°C). |
| Peak Power: | 500 Watts (Based on 100 μ s pulse width and 1% duty cycle). |
| DC Resistance: | 50 Ω \pm 5 %. |

2. ENVIRONMENTAL:

| | |
|----------------------------|----------------------|
| Operating Temperature: | -55°C to +150°C. |
| Non-operating Temperature: | -55°C to +150°C. |
| Temperature Coefficient: | +/-200 PPM / °C max. |

3. MARKING:

| | |
|---------------|-------------|
| Unit Marking: | No Marking. |
|---------------|-------------|

4. QUALITY ASSURANCE:

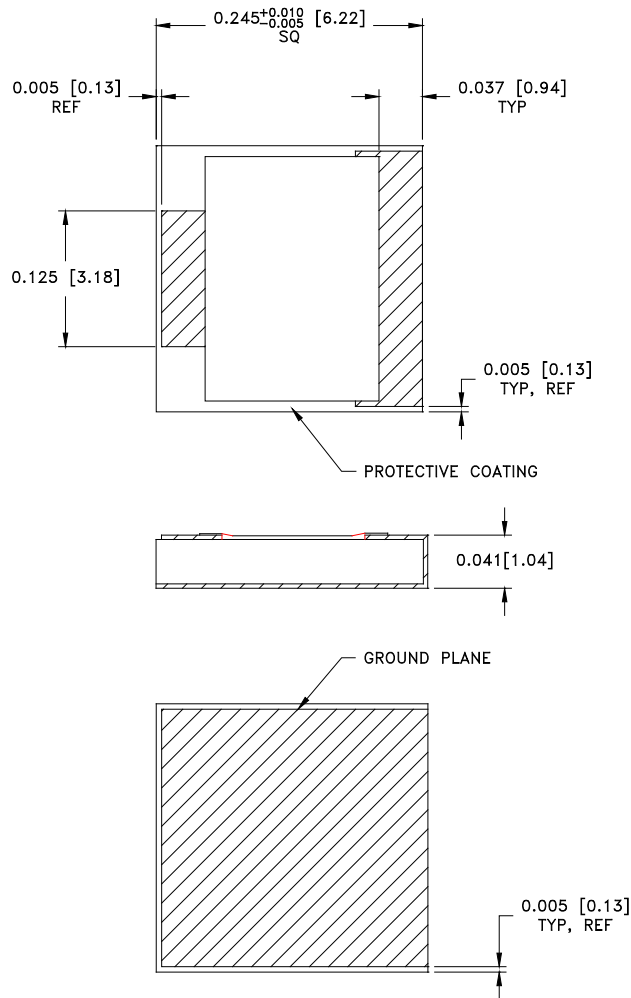
| | |
|-----------------------------------|---------------------------|
| Visual and Mechanical Inspection: | Per 824W107. |
| DC Resistance Check: | 100% DC Resistance Check. |
| Data Retention: | Standard. |

5. PACKAGING:

| | |
|---------------------|----------------------------|
| Standard Packaging: | Standard pack per 755W002. |
|---------------------|----------------------------|

6. MECHANICAL:

| | |
|---------------------|---|
| Substrate Material: | Beryllia. |
| Resistive Film: | Thick Film. |
| Terminal Material: | Thick Film, Nickel Barrier, Solder Plating. |
| Workmanship: | Per MIL-STD-454, requirement 9. |
| Metric Dimensions: | Provided for reference only. |



Unless Otherwise Specified: TOLERANCE: X.XX = ± 0.01 X.XXX = ± 0.005.