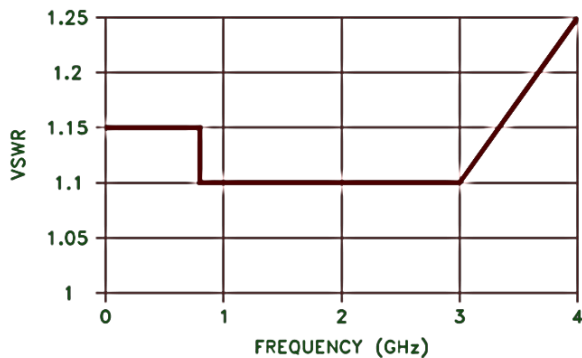


ORDERING INFORMATION**PART IDENTIFIER: CT1005TALN****SPECIFICATIONS****1. ELECTRICAL:**Impedance: 50 Ω Nominal.DC Resistance: 44 Ω Nominal.

Frequency: DC - 4 GHz.

VSWR:



Input Power: Heat Sink 100°C: 15 Watts. (Derate Power Linearly To 0 Watts @ 150°C).

2. ENVIRONMENTAL:

Non-Operating Temperature: -55°C To +150°C.

Operating Temperature: -55°C To +125°C.

3. MARKING:

Unit Marking: No Marking.

4. QUALITY ASSURANCE:

Sample Inspect Per ANSI/ASQC Z1.4 General Inspection, Level II, AQL = 1.0.

Visual And Mechanical Per 824W154.

DC Resistance: 44 $\Omega \pm 5\%$.

Data Requirements:

No Test Data Required for Customer.

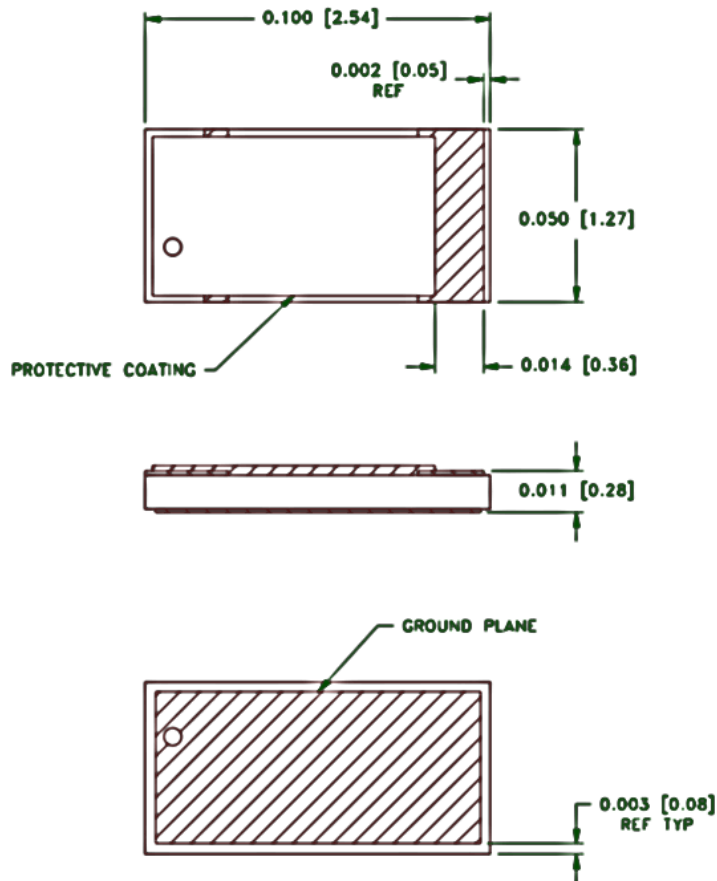
Data Retention – Standard

5. PACKAGING:

Standard Pack per 755W002.

6. MECHANICAL:

Substrate (Material): Aluminum Nitride MIL-I-10.
 Terminals and Ground Plane (Material): Thick Film, Nickel Barrier. Solder Plated.
 Resistive Element (Material): Thick Film.
 Workmanship: Per MIL-STD-454, Requirement 9.



Unless Otherwise Specified: TOLERANCE: X.XX = ± 0.02 X.XXX = ± 0.010.