

TITLE: SPECIFICATION CONTROL DRAWING

PART IDENTIFIER: TS09SMTF-DKIT

5 PCS = TS0900SMTF 5 PCS = TS0903SMTF 5 PCS = TS0906SMTF 5 PCS = TS0910SMTF

DESCRIPTION: FIXED VALUE CHIP ATTENUATOR DESIGN KIT, ROHS COMPLIANT.

ASSEMBLY DWG: 2403104

1.0 SPECIFICATIONS:

1.1 ELECTRICAL:

- 1.1.1 IMPEDANCE: 50 OHMS NOMINAL.
- 1.1.2 OPERATING FREQUENCY RANGE: DC – 20 GHZ.
- 1.1.3 ATTENUATION VALUES AVAILABLE: 0, 3, 6, 10.
- 1.1.4 ATTENUATION ACCURACY AT 25°C:
 - 0-5 dB DC-20 GHz ± 0.5 dB
 - 6-10 dB DC-15 GHz ± 0.5 dB
 - 15-20 GHz ± 0.75 dB
- 1.1.5 VSWR: 1.40:1 TYP, 1.70 MAX @ 25°C.
- 1.1.6 INPUT POWER: 200 MILLIWATTS CW.
 - 1.1.6.1 FULL RATED POWER TO 125°C, DERATED LINEARLY TO 0 WATTS AT 150°C.

1.2 MECHANICAL:

- 1.2.1 OUTLINE DWG: SEE SHEET 2.
- 1.2.2 WORKMANSHIP: PER MIL-PRF-55342.

1.3 ENVIRONMENTAL:

- 1.3.1 OPERATING TEMPERATURE RANGE: -55°C TO +150°C

2.0 UNIT MARKING: NONE

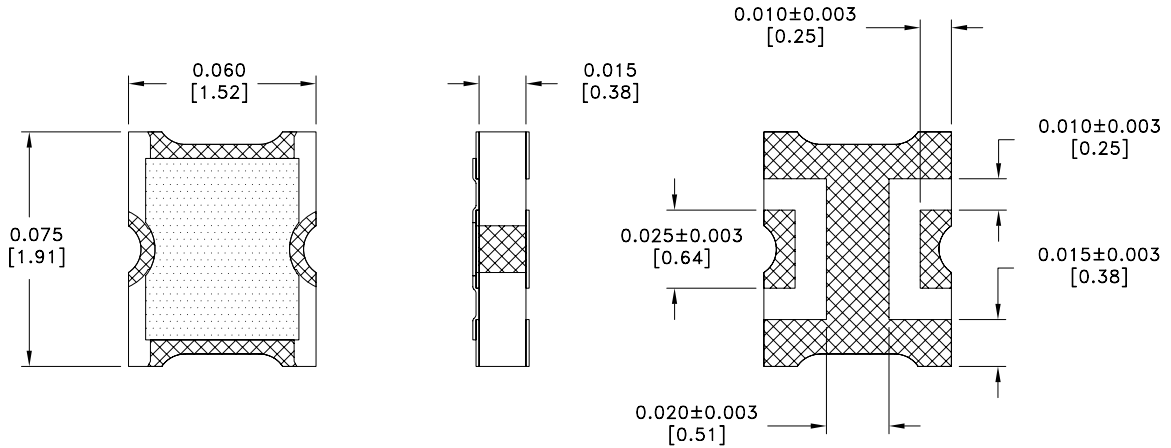
3.0 QUALITY ASSURANCE:

- 3.1 SAMPLE INSPECT PER ANSI/ASQC Z1.4 GENERAL INSPECTION, LEVEL II, AQL = 1.0.
 - 3.1.1 VISUAL AND MECHANICAL EXAMINATION FOR CONFORMANCE TO OUTLINE DRAWING REQUIREMENTS.
- 3.2 SAMPLE INSPECTION (DESTRUCTIVE TESTING).
 - 3.2.1 TEST VSWR PER 1.1.5
 - 3.2.2 TEST ATTENUATION PER 1.1.4
- 3.3 INSPECTION IN ACCORDANCE WITH 824W170 AND 824F036 FOR COMMERCIAL GRADE PRODUCT.
- 3.4 TEST DATA REQUIREMENTS:
 - 3.4.1 NO TEST DATA REQUIRED FOR CUSTOMER.
 - 3.4.2 DATA RETENTION - 24 MONTHS.

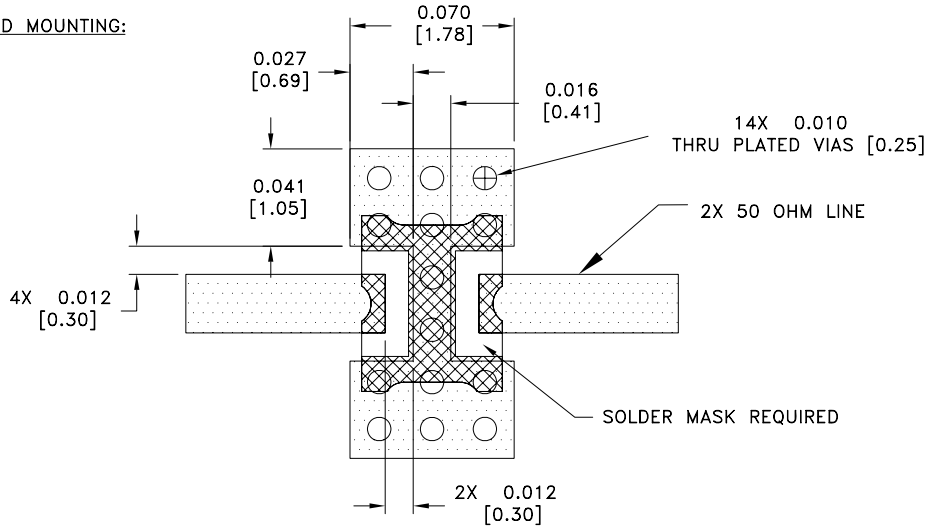
4.0 PACKAGING: STANDARD PACK PER 755W002.

EMC TECHNOLOGY 8851 SW OLD KANSAS AVE. STUART, FL 34997	CAGE CODE # 24602		DWG #	1012355000
	CHANGE NOTICE	EN 10-E0024	REV LVL	A
			SHEET	1 OF 2

PART ID REF
TS09SMTF-DKIT



SUGGESTED MOUNTING:

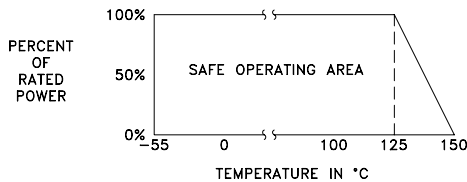


MECHANICAL SPECIFICATIONS:

SUBSTRATE:
MATERIAL - ALUMINA 96%, MIL-I-10.
TERMINAL:
MATERIAL - THICK FILM, LEAD FREE PLATING
ROHS COMPLIANT.
RESISTIVE ELEMENT:
MATERIAL - THICK FILM.

METRIC EQUIVALENTS GIVEN IN [mm]
FOR REFERENCE INFORMATION ONLY

POWER RATING AND DERATING



8851 SW OLD KANSAS AVE
STUART, FL 34997
PHONE NO. (772)286-9300
FAX NO. (772)283-5286

UNLESS OTHERWISE SPECIFIED DIMENSIONS ARE IN INCHES

TOLERANCES
FRACT ---
ANG ---
XX ---
XXX ±0.005
XXXX ---

THESE DRAWINGS AND SPECIFICATIONS ARE THE PROPERTY OF EMC TECHNOLOGY INC AND SHALL NOT BE DUPLICATED OR USED AS BASIS FOR THE MANUFACTURE OR SALE OF PARTS OR DEVICES WITHOUT PERMISSION.

CAGE CODE 24602	SCALE 25:1	DRAWN BY JG 6/15/10	CHECKED BY	APPROVED BY
REV A	CHANGE NOTICE EN 10-E0024	DRAWING NO 1012355000	SHEET 2 OF 2	