



ORDERING INFORMATION

PART IDENTIFIER: SMT1206TALNF

ASSEMBLY DWG: 2402754

SPECIFICATIONS

1. ELECTRICAL:

Impedance: 50 Ω Nominal.

Frequency: DC - 4 GHz.

VSWR: DC-2.5 GHz 1.30:1
2.5-4.0 GHz 1.50:1

Input Power: Heat Sink 100°C: 10 Watts (Derate Power Linearly To 0 Watts @ 125°C).

2. ENVIRONMENTAL:

Non-Operating: -55°C To +150°C.

Operating: -55°C To +125°C.

3. MARKING:

Unit Marking: None.

4. QUALITY ASSURANCE:

Sample Inspect Per ANSI/ASQC Z1.4 General Inspection, Level II, AQL = 1.0.

Visual And Mechanical Per 824W154.

Dc Resistance: 50 Ω ± 5 %.

Data Requirements:

No Test Data Required for Customer.

Data Retention - Standard.

5. PACKAGING:

Standard Packing Per 755W002. RoHS Compliant.

6. MECHANICAL:

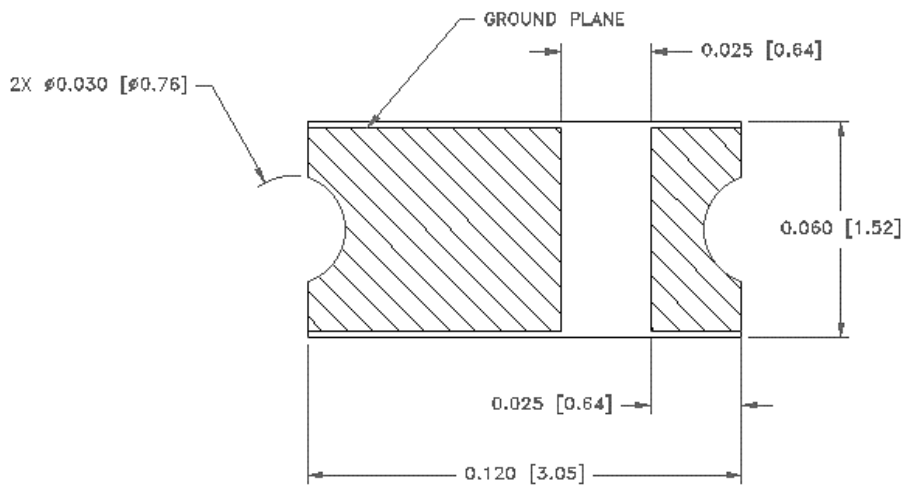
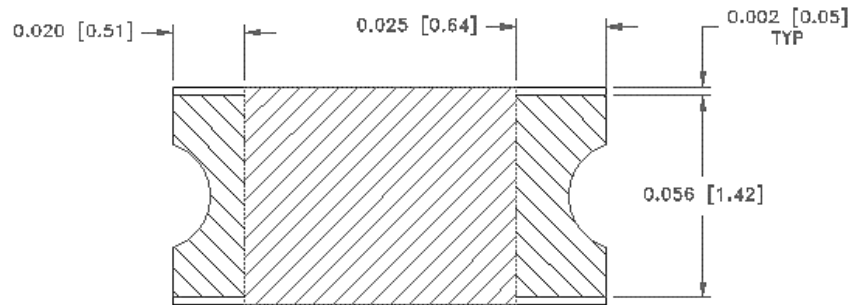
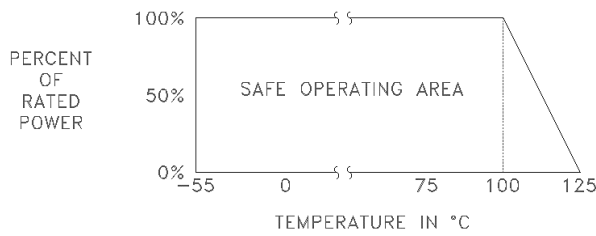
Substrate: Aluminum Nitride, MIL-I-10.

Terminal & Ground Plane: Thick Film, Silver Plated.

Resist: Thick Film.



POWER RATING AND DERATING



Unless Otherwise Specified:

Tolerance: X.XXX = ± 0.005

Metric equivalents given in [mm] are for reference information only.