

TITLE: SPECIFICATION CONTROL DRAWING

PART IDENTIFIER: 42WXX.XXF-KIT

DESCRIPTION: FIXED COAXIAL ATTENUATOR KIT
CONTAINS:

- (1) 42W00.00F
- (1) 42W03.00F
- (1) 42W06.00F
- (1) 42W10.00F
- (1) 42W20.00F
- (1) 42W30.00F

ASSEMBLY DWG: 2403244

1.0 SPECIFICATIONS:

1.1 ELECTRICAL:

1.1.1 IMPEDANCE: 50 OHMS

1.1.2 ATTENUATION VALUES AVAILABLE: 0 – 20 & 30 in 1 DB STEPS

1.1.3 ATTENUATION ACCURACY:

<u>ATTENUATION (dB)</u>	<u>TOLERANCE</u>
0 – 6.0	±0.30 DB
7.0 – 20.0	±0.50 DB
21.0 – 30.0	±0.75 DB

1.1.4 FREQUENCY RANGE: DC - 18 GHZ.

1.1.5 VSWR:

DC - 4 GHz	1.15:1 MAX
4 - 12 GHz	1.25:1 MAX
12.4 - 18 GHz	1.35:1 MAX

1.1.6 POWER (AVG): 2 WATTS (DERATES LINEARLY FROM 25°C TO 10% @ 125°C)

1.1.7 POWER (PEAK): 500 WATTS (AT 5µs PULSE WIDTH & 0.1% DUTY CYCLE)

1.2 MECHANICAL:

1.2.1 OUTLINE DWG: SEE SHEET 2.

1.3 ENVIRONMENTAL:

1.3.1 TEMPERATURE RANGE:

1.3.1.1 OPERATING: -65°C TO +125°C.

2.0 UNIT MARKING: "EMCT, PART IDENTIFIER".
LEGIBILITY AND PERMANENCY PER MIL-STD-130.

3.0 QUALITY ASSURANCE:

3.1 SAMPLE INSPECT PER ANSI/ASQC Z1.4 GENERAL INSPECTION, LEVEL II, AQL = 1.0.

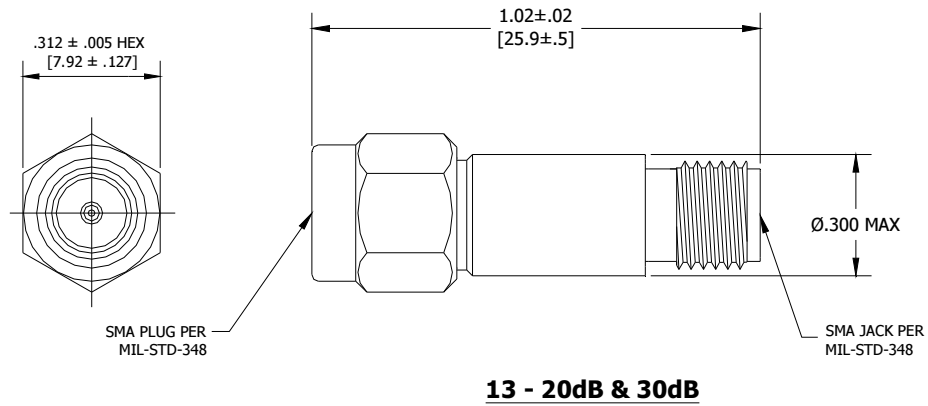
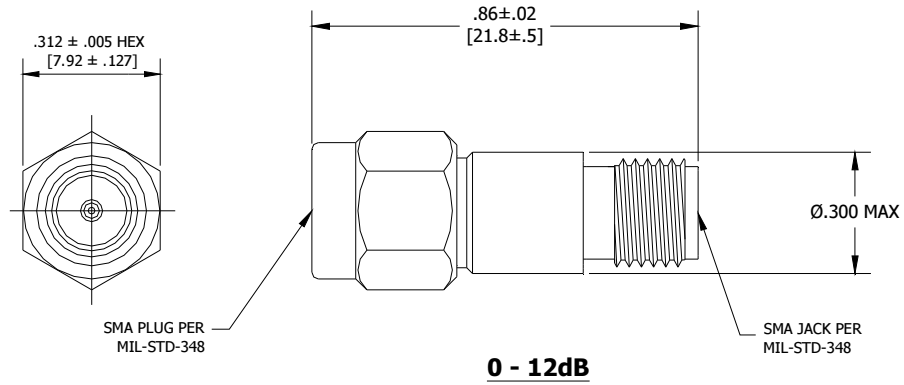
3.1.1 VISUAL AND MECHANICAL EXAMINATION FOR CONFORMANCE TO OUTLINE
DRAWING REQUIREMENTS INCLUDING SMA INTERFACE.

3.2 TEST DATA REQUIREMENTS:

3.2.1 NO TEST DATA REQUIRED FOR CUSTOMER.

4.0 PACKAGING: STANDARD PACK PER 755W002.

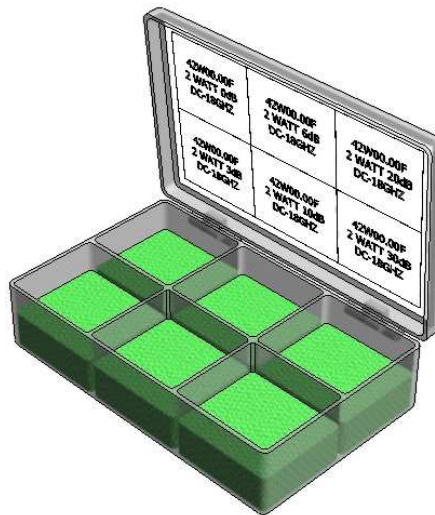
EMC TECHNOLOGY 8851 SW OLD KANSAS AVE. STUART, FL 34997	CAGE CODE # 24602		DWG #	1012745000
	CHANGE NOTICE	EN 12-0440	REV LVL	-
			SHEET	2 OF 2



METRIC EQUIVALENTS ARE GIVEN FOR REFERENCE ONLY

MECHANICAL SPECIFICATIONS:

SMA CONNECTOR HOUSING: PASSIVATED STAINLESS STEEL
 SMA CONNECTOR CENTER CONDUCTORS: GOLD PLATED BERYLLIUM COPPER
 RESISTIVE ELEMENT: THIN FILM HYBRID ON 99.6% ALUMINA SUBSTRATE



EMC TECHNOLOGY 8851 SW OLD KANSAS AVE. STUART, FL 34997	CAGE CODE # 24602		DWG #	1012745000
	CHANGE NOTICE	EN 12-0440	REV LVL	-
			SHEET	2 OF 2