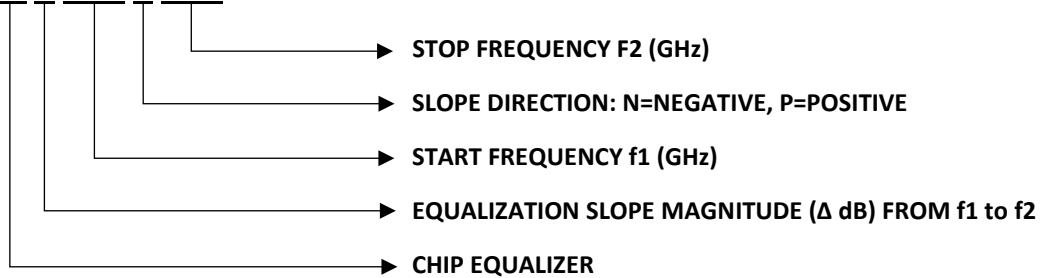


ORDERING INFORMATION

PART IDENTIFIER: **CE X XXX Y XXX SMTF**



ASSEMBLY DWG: 1902144

APPLICATION NOTE: AN0020

Standard Equalizer Values					
Part Number	SLOPE (dB) Negative	Part Mark Code	Start Frequency (GHz)	Stop Frequency (GHz)	Δ F (GHz)
CE 1 015 P 029 SMTF	1	140	1.5	2.9	1.4
CE 1 015 P 035 SMTF	1	130	1.5	3.5	2.0
CE 1 020 P 040 SMTF	1	127	2.0	4.0	2.0
CE 1 025 P 045 SMTF	1	125	2.5	4.5	2.0
CE 1 030 P 055 SMTF	1	120	3.0	5.5	2.5
CE 1 035 P 070 SMTF	1	115	3.5	7.0	3.5
CE 1 040 P 075 SMTF	1	112	4.0	7.5	3.5
CE 1 050 P 095 SMTF	1	110	5.0	9.5	4.5
CE 2 007 P 028 SMTF	2	240	0.7	2.8	2.1
CE 2 010 P 030 SMTF	2	235	1.0	3.0	2.0
CE 2 010 P 035 SMTF	2	230	1.0	3.5	2.5
CE 2 010 P 040 SMTF	2	227	1.0	4.0	3.0
CE 2 015 P 045 SMTF	2	225	1.5	4.5	3.0
CE 2 020 P 055 SMTF	2	220	2.0	5.5	3.5
CE 2 020 P 065 SMTF	2	215	2.0	6.5	4.5
CE 2 025 P 070 SMTF	2	212	2.5	7.0	4.5
CE 2 030 P 090 SMTF	2	210	3.0	9.0	6.0
CE 3 005 P 027 SMTF	3	340	0.5	2.7	2.2
CE 3 008 P 035 SMTF	3	330	0.8	3.5	2.7
CE 3 010 P 030 SMTF	3	332	1.0	3.0	2.0
CE 3 010 P 040 SMTF	3	327	1.0	4.0	3.0
CE 3 010 P 045 SMTF	3	325	1.0	4.5	3.5
CE 3 015 P 055 SMTF	3	320	1.5	5.5	4.0
CE 3 015 P 065 SMTF	3	315	1.5	6.5	5.0
CE 3 015 P 070 SMTF	3	312	1.5	7.0	5.5
CE 3 020 P 090 SMTF	3	310	2.0	9.0	7.0
CE 4 010 P 030 SMTF	4	426	1.0	3.0	2.0
CE 3 005 N 027 SMTF	3	340	0.5	2.7	2.2

SPECIFICATIONS

1. ELECTRICAL:

- VSWR: 1 dB Slope $\leq 1.3:1$
 2 dB Slope $\leq 1.5:1$
 3 dB Slope $\leq 1.8:1$
 ≥ 4 dB Slope $\geq 1.8:1$
- F1: Start Band: 1.0 GHz
 Minimum Start Band Frequency F1. Refer to Part Identifier for Standard Values.
- F2: Stop Band: 10.0 GHz
 Maximum Stop Band Frequency F2. Refer to Part Identifier for Standard Values.
- Insertion Loss: 1.25 dB
 Maximum Insertion Loss at Frequency F2 for Positive Slope Equalizers and F1 for Negative Slope Equalizers. Refer to Figure 1.0.
- Input Power: 0.25 Watts
- Maximum Input Power Rating: Full Rated Power to 125°C, Derated Linearly to 0 Watts at 150°C.
- Slope Linearity: 1, 2, 3 dB Slope ± 0.25 dB
 Slope Linearity Defined as the Deviation from Best Fit Linear Approximation. Refer to Figure 1.0. Consult Factory for Slopes > 3 dB.

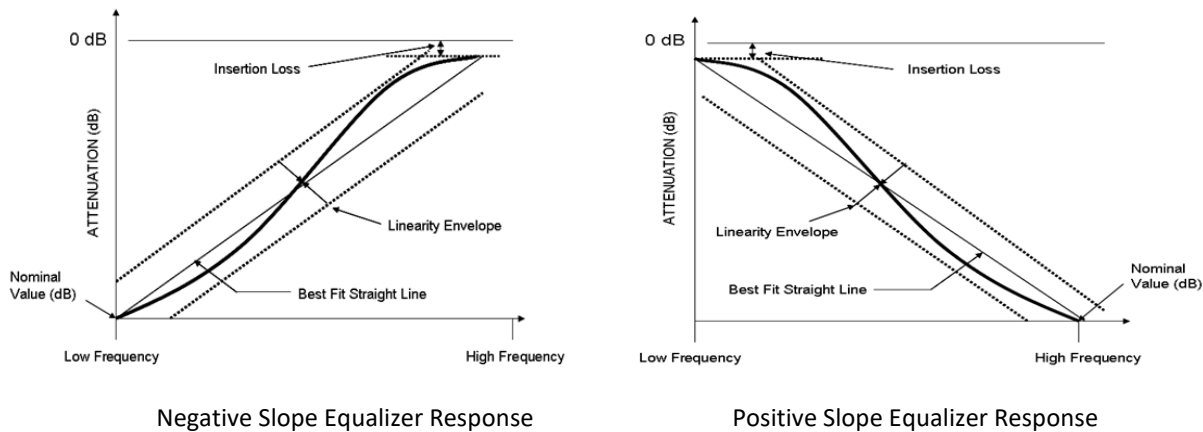


Figure 1.0 Equalizer Specification Definitions

2. ENVIRONMENTAL:

- Operating Temperature: -55°C to +125°C

3. MARKING:

- Unit Marking: Refer to Part Identifier for Part Mark Code. Positive Marked with White Ink, Negative Marked with Black Ink.

4. QUALITY ASSURANCE:

Sample Inspect Per ANSI/ASQC Z1.4 General Inspection, Level II, AQL=1.0.

Visual and Mechanical Examination for Conformance to Outline Drawing Requirements.

Inspect Per 824W154 Workmanship Standard.

Test Data Requirements:

No Test Data Required for Customer.

Data Retention – 24 Months.

5. PACKAGING:

Packaging: Standard Pack Per 755W002.

6. MECHANICAL:

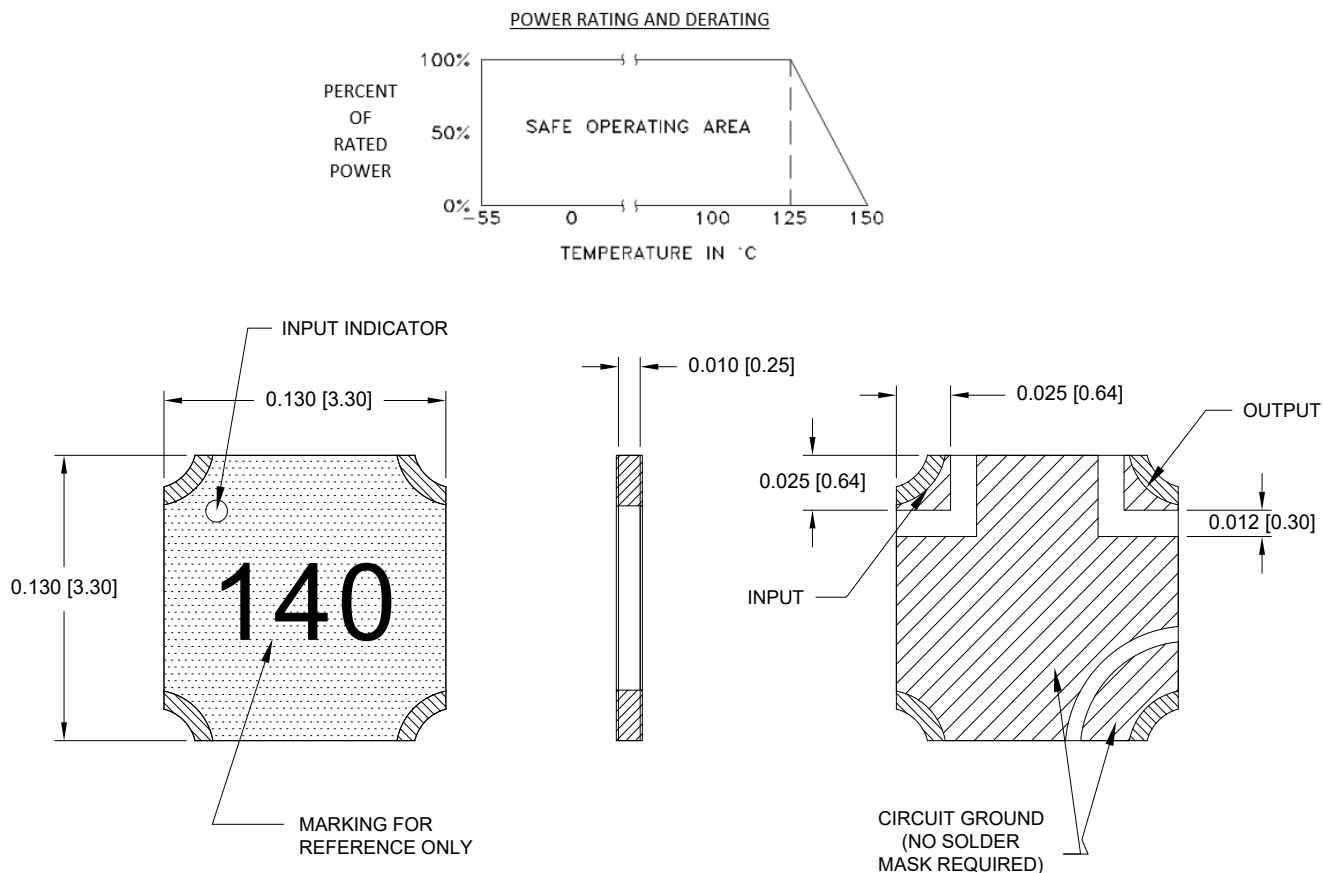
Substrate Material: Alumina, MIL- I -10.

Resistive Material: NiCr.

Terminal and Ground Plane Material: Thick Film, Nickel Barrier, Silver Plated.

Metric Dimensions: Provided for Reference Only.

Workmanship Per MIL-PRF-55342.



Unless Otherwise Specified: TOLERANCE X.XXX= ±0.005

7. SUGGESTED BOARD MOUNTING:

SUGGESTED BOARD MOUNTING

