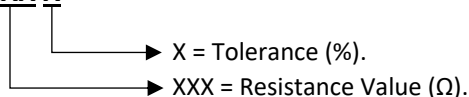
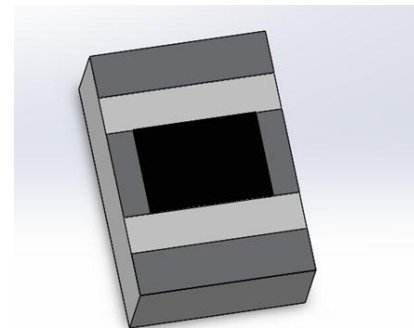


## ORDERING INFORMATION

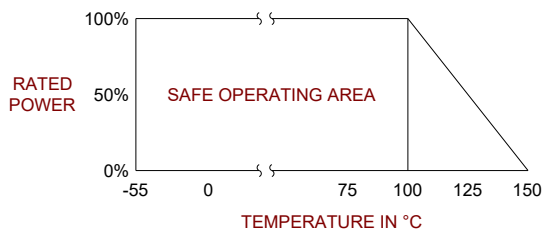
**PART IDENTIFIER: CRHA0811XXX X****ASSEMBLY DWG: 1102584**

## SPECIFICATIONS

### 1.0 ELECTRICAL

Frequency Range:	DC – 25 GHz.
Resistance Range:	20 - 500 Ω.
Resistance Tolerance:	± 2%.
Temperature Coefficient of Resistance:	± 200 PPM/ °C Max.
	8.5 Watts.

Input Power CW:



Peak Power:

85W, 10μs pulse width, 1% duty cycle.

### 2.0 ENVIRONMENTAL

Operating Temperature:	-55°C to +150°C.
Non-operating Temperature:	-65°C to +150°C.

### 3.0 MARKING

Unit Marking:	Dot Marking, Ohms Value.
---------------	--------------------------

### 4.0 QUALITY ASSURANCE

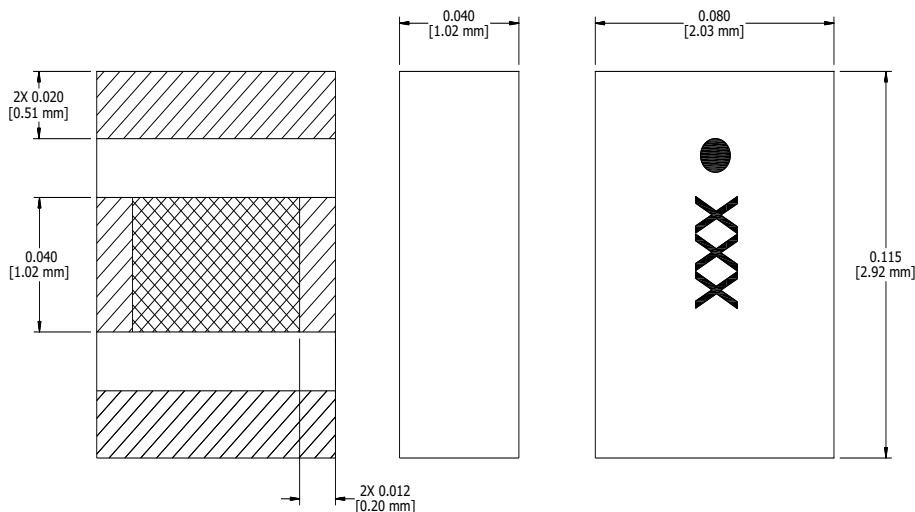
Visual and Mechanical Inspection:	Per 824W107.
DC Resistance Check:	100% DC Resistance Check.
Data Retention:	Standard.

### 5.0 PACKAGING

Standard Packaging:	Tape and Reel.
---------------------	----------------

### 6.0 MECHANICAL

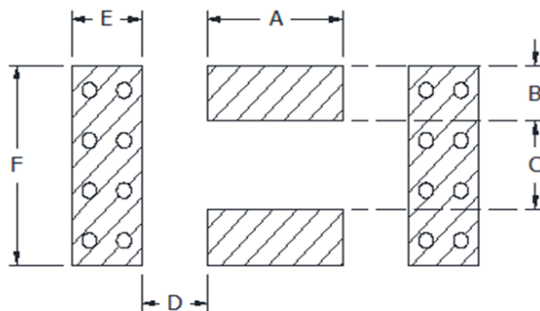
Substrate Material:	ALN.
Resistive Film:	Thick Film.
Terminal Material:	Thick Film, Tin Lead over Nickel Plated.
Metric Dimensions:	Provided for Reference Only.



Note: Specifications are subject to change.

Unless Otherwise Specified: TOLERANCE: X.XX = ± 0.01 X.XXX = ± 0.002.

7.0 SUGGESTED MOUNTING FOOTPRINT



Part Number	Inches						mm					
	A	B	C	D	E	F	A	B	C	D	E	F
CRHA0811XXX2	0.045	0.014	0.056	0.018	0.025	0.085	1.143	0.36	1.42	0.44	0.64	2.16