

ORDERING INFORMATION

PART IDENTIFIER: CT2525ALN

ASSEMBLY DWG: 1000484

SPECIFICATIONS

1. ELECTRICAL:

Impedance:	50 Ω Nominal.
Frequency:	Dc - 4 GHz.
VSWR:	1.35:1 Max.
Input Power:	Heat Sink 100°C: 40 Watts (Derate Power Linearly To 0 Watts @ 125°C).

2. ENVIRONMENTAL:

Non-Operating:	-55°C To +150°C.
Operating:	-55°C To +125°C.

3. MARKING:

Marking Unit:	None.
---------------	-------

4. QUALITY ASSURANCE:

Sample Inspect Per ANSI/ASQC Z1.4 General Inspection, Level II, AQL = 1.0.

Visual And Mechanical Per 824W154.

Dc Resistance: 50 $\Omega \pm 5\%$.

Data Requirements:

No Test Data Required for Customer.

Data Retention – 24 Months.

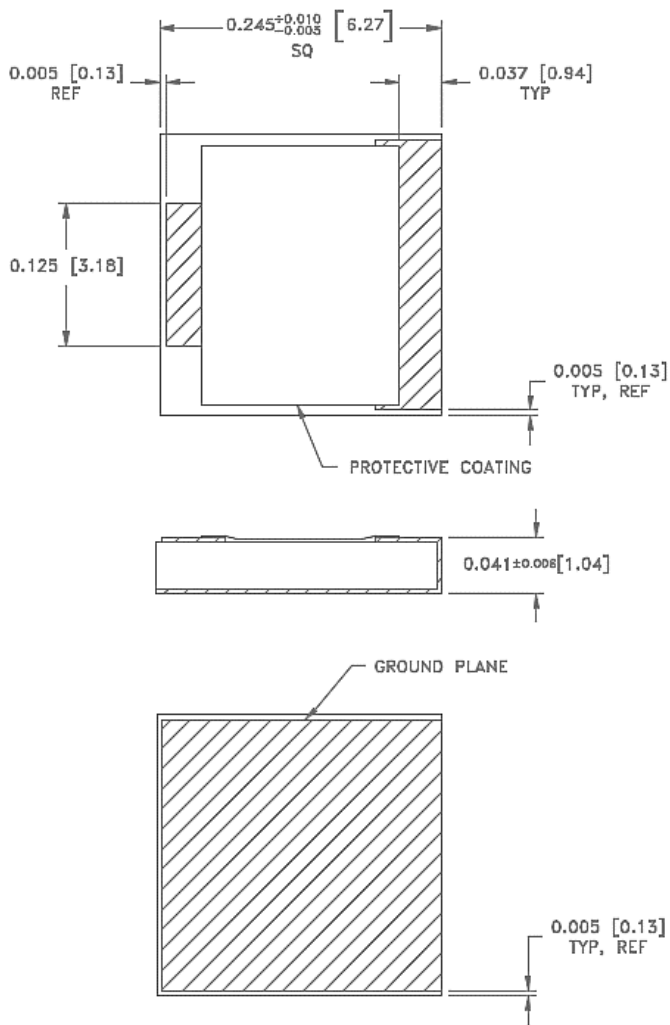
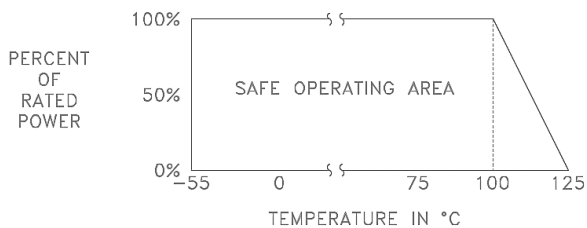
5. PACKAGING:

Standard Packing Per 755W002.

6. MECHANICAL:

Substrate:	Material-Aluminum Nitride, MIL-I-10.
Terminal & Ground Plane:	Material-Thick Film, Nickel Barrier, Solder Plated.
Resist:	Material-Thick Film.

POWER RATING AND DERATING



Unless Otherwise Specified: TOLERANCE: X.XXX = ± 0.005.

Metric equivalents given in [mm] are for reference information only.