

SURFACE MOUNT TERMINATION, TUNED FOR TELECOM BANDS

DATASHEET PART SERIES: SMT2010TALNS

Sheet 1 of 3
Doc# SMT2010TALNS-1012025ECO-085683
Revision A

ORDERING INFORMATION

PART IDENTIFIER: SMT2010TALNS

ASSEMBLY DWG: 1102234

SPECIFICATIONS

1. ELECTRICAL:

Impedance:	50 Ω Nominal.
Frequency:	DC – 4 GHz.
VSWR:	See Chart.
Input Power:	20 Watts. Chip soldered to mounting surface. Mounting surface temperature maintained at 100°C maximum. Apply linear de-rating of input power to 0 watts at 150°C.

2. ENVIRONMENTAL:

Non-Operating:	-55°C To +150°C.
Operating:	-55°C To +150°C.

3. MARKING:

Unit Marking:	None.
---------------	-------

4. QUALITY ASSURANCE:

Sample inspect per ANSI/ASQC z1.4 general inspection, level II, AQL = 1.0.

Visual and mechanical per 824W154.

Dc Resistance: 50 Ω \pm 5%.

Data Requirements:

No test data required for customer.

Data retention – 24 months.

5. PACKAGING:

Standard pack per 755W002.

6. MECHANICAL:

Workmanship: PER MIL-PRF-55342

Thermal Impedance (R θ):

2.500°C / Watt R θ From Resist Film to Mounting Surface Directly Under Center of Chip. Chip Soldered Directly to Mounting Surface.

SURFACE MOUNT TERMINATION, TUNED FOR TELECOM BANDS

DATASHEET PART SERIES: SMT2010TALNS

**Sheet 2 of 3
Doc# SMT2010TALNS-1012025**

**ECO-085683
Revision A**

Film Temperature (TF):

200°C Absolute Maximum Film Temperature. De-Rate To 150 °C Maximum Film Temperature for All Military/High-Reliability Applications.

Thermal:

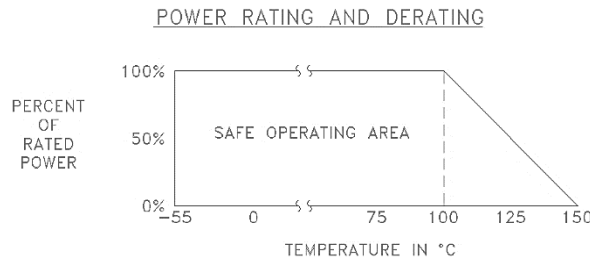
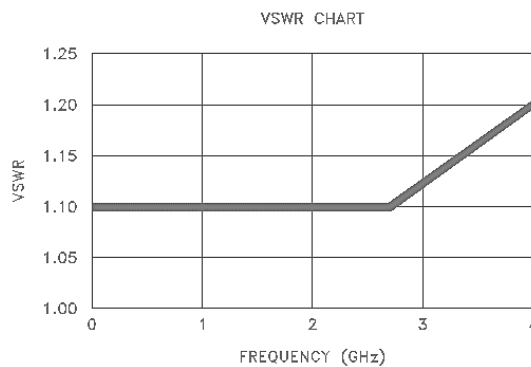
Determine maximum mounting surface temperature by applying the following formula:

$$T_S = T_F - (P_{MAX} \times R_{\theta})$$

Where:

- T_S = Maximum Mounting Surface Temperature
- T_F = Maximum Film Temperature
- P_{MAX} = Maximum Applied Input Power
- R_θ = Chip Thermal Impedance.

Substrate: Material-Aluminum Nitride, MIL-I-10
 Terminals: Thick Film, Nickel Barrier,
 Solder Coated.
 Resist: Material- Thick Film.



SURFACE MOUNT TERMINATION, TUNED FOR TELECOM BANDS

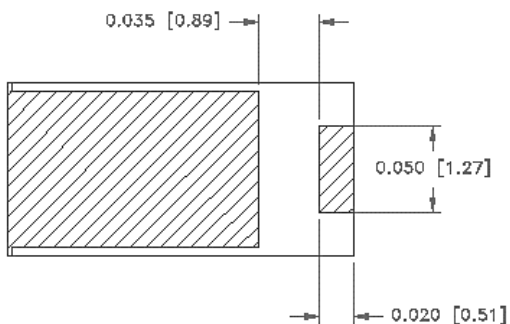
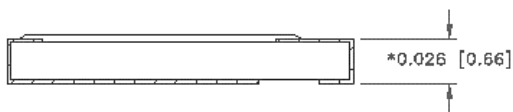
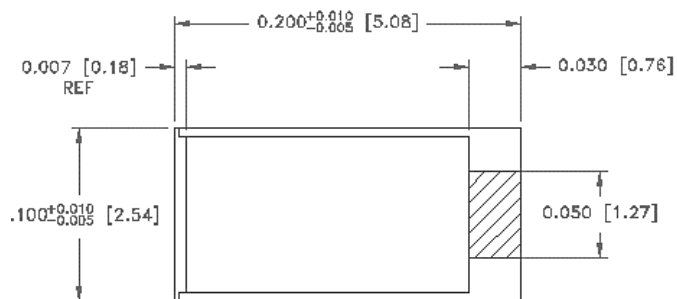
DATASHEET PART SERIES: SMT2010TALNS

Sheet 3 of 3

ECO-085683

Doc# SMT2010TALNS-1012025

Revision A



Unless Otherwise Specified:

TOLERANCE: X.XXX = ± 0.005.