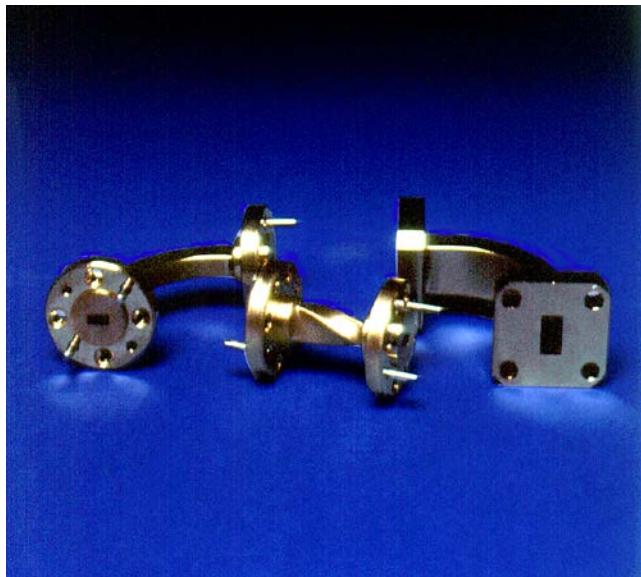


E- AND H-PLANE BENDS, TWISTS AND TEES



DESCRIPTION

Millitech series WGB E- and H-plane bends, series WTW waveguide twists and series TEH tees are precisely formed waveguide sections which maintain internal waveguide dimensions while changing the external orientation. The E- and H-plane bends, twists and tees are all offered from 18 to 220 GHz.

FEATURES:

- Low insertion loss
- Rugged, compact

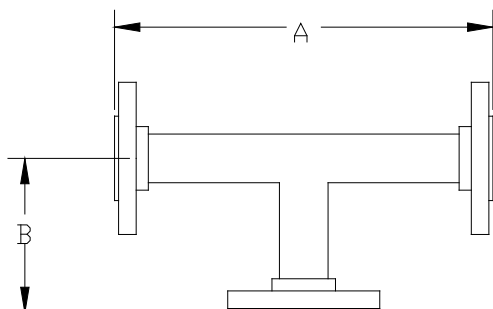
APPLICATIONS:

- Subsystems
- Test and measurement equipment
- General purpose

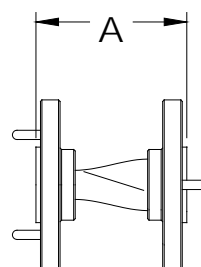
The bends are supplied with angles of 30°, 45°, 60° and 90°. The twists are supplied with angles of 45° (left- or right-handed) and 90°. Millitech also offers a highly miniaturized 90° twist (0.040 in/1.02 mm at 94 GHz, 0.120 in/3.05 mm at 35 GHz) for subsystems operating over a moderate bandwidth (25% typical). Please consult Millitech for details.

OUTLINE DRAWINGS

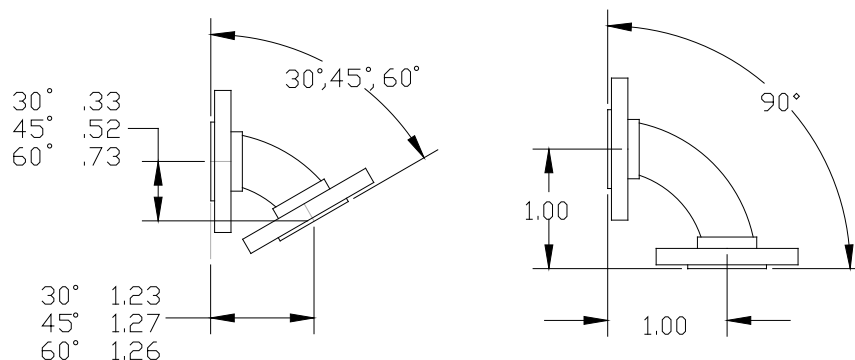
Series TEH



Series WTW



Series WGB (dimensions in inches)



MECHANICAL SPECIFICATIONS

Model Number		WTW-42	WTW-28	WTW-22	WTW-19	WTW-15	WTW-12	WTW-10	WTW-08	WTW-06	WTW-05
A (in/mm)	90° Twist	2.56/65.0	1.75/44.5	1.25/31.8	1.25/31.8	1.00/25.4	1.00/25.4	1.00/25.4	1.00/25.4	1.00/25.4	1.00/25.4
	45° Twist	2.56/65.0	1.25/31.8	1.25/31.8	1.25/31.8	1.00/25.4	1.00/25.4	1.00/25.4	1.00/25.4	1.00/25.4	1.00/25.4
Flange MIL.F-3922		/54-001	/54.003	/67B-006	/67B-007	/67B-008	/67B-009	/67B-010	/67B-M08	/67B-M06	/67B-M05
Model Number		TEH-42	TEH-28	TEH-22	TEH-19	TEH-15	TEH-12	TEH-10	TEH-08	TEH-06	TEH-05
A (in/mm)		2.8/71	2.8/71	2.8/71	2.85/71	2.2/56	2.2/56	2.0/51	2.0/51	2.0/51	2.0/51
B (in/mm)		1.5/38	1.5/38	1.5/38	1.5/38	1.1/28	1.1/28	1.0/25	1.0/25	1.0/25	1.0/25
Flange MIL.F-3922		/54-001	/54.003	/67B-006	/67B-007	/67B-008	/67B-009	/67B-010	/67B-M08	/67B-M06	/67B-M05

HOW TO ORDER

Specify Model Number WGB-XX-ABCCØ
XX = Waveguide Band WR – number
A = Flange Type R – round (WR-28 through WR-05 only) S – square (WR-42 and WR-28 only) A – Precision Flange per Millitech IS000131, flat option (WR-08 through WR-05 only)
B = Bend Plane E – E-plane H – H-plane
CC = Bend Angle 30 – 30° 45 – 45° 60 – 60° 90 – 90°

EXAMPLE:

To Order: a series WGB in WR-15, 90° bend in H-plane with round flanges

Specify: WGB-15-RH900

HOW TO ORDER

Specify Model Number WTW-XX-ABCCØ (waveguide twists)
XX = Waveguide Band WR – number
A = Flange Type R – round (WR-28 through WR-05 only) S – square (WR-42 and WR-28 only) A – Precision Flange per Millitech IS000131, flat option (WR-08 through WR-05 only)
B = Twist Polarity N – 90° L – left-hand (45° only) R – right-hand (45° only) C – compact version* (90° only)
CC = Twist Angle 45 – 45° (not available for compact version) 90 – 90°
*Note: Please specify center frequency if requesting compact twist.

EXAMPLE:

To Order: a series WTW 45° lefthand twist in WR-42 with square flanges

Specify: WTW-42-SL450

HOW TO ORDER

Specify Model Number TEH-XX-AB000 (E- and H-plane tees)
XX = Waveguide Band WR – number
A = Flange Type R – round (WR-28 through WR-05 only) S – square (WR-42 and WR-28 only) A – Precision Flange per Millitech IS000131, flat option (WR-08 through WR-05 only)
B = Tee Plane Type E – E-plane H – H-plane

EXAMPLE:

To Order: an E-plane tee in WR-06 with pin contact flanges

Specify: TEH-06-PE000