

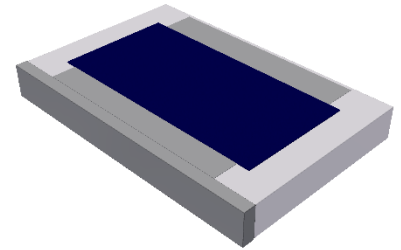
TERMINATION CHIP 30 WATT

DATASHEET PART SERIES: 82A3019F

Sheet 1 of 2
Doc# 82A3019FECO-083989
Revision -

ORDERING INFORMATION

PART IDENTIFIER: 82A3019F



SPECIFICATIONS

1. ELECTRICAL:

Nominal Impedance:	50 Ω .
Frequency Range:	DC - 1.0 GHz.
VSWR:	1.50:1 Max.
Input Power CW:	30 Watts @ 100°C heat sink, derated linearly to zero power and 150°C.
Peak Power:	300 Watts (based on 10 μ s pulse width and 1% duty cycle).
DC Resistance:	50 Ω \pm 5 %.

2. ENVIRONMENTAL:

Operating Temperature:	-55°C to +150°C.
Non-operating Temperature:	-65°C to +150°C.
Temperature Coefficient:	+/-200 PPM / ° C max.

3. MARKING:

Unit Marking:	No Marking.
---------------	-------------

4. QUALITY ASSURANCE:

Visual and Mechanical Inspection:	Per 824W107.
DC Resistance Check:	100% DC Resistance Check.
Data Retention:	Standard.

5. PACKAGING:

Standard Packaging:	Tape and Reel.
---------------------	----------------

6. MECHANICAL:

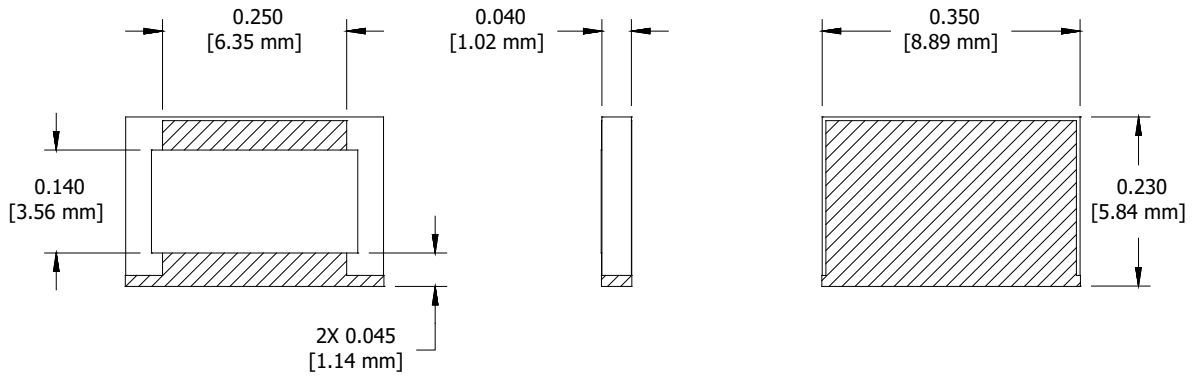
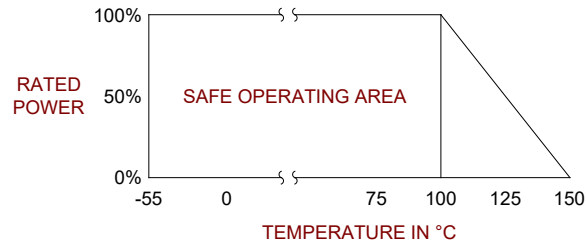
Substrate Material:	Beryllium Oxide.
Resistive Film:	Thin Film.
Terminal Material:	Silver Plated.
Metric Dimensions:	Provided for reference only.

TERMINATION CHIP 30 WATT

DATASHEET PART SERIES: 82A3019F

Sheet 2 of 2
Doc# 82A3019F

ECO-083989
Revision -



Unless Otherwise Specified: TOLERANCE: X.XX = ± 0.02 X.XXX = ± 0.010.