

RESISTOR FLANGE MOUNT 150 WATT



DATA SHEET

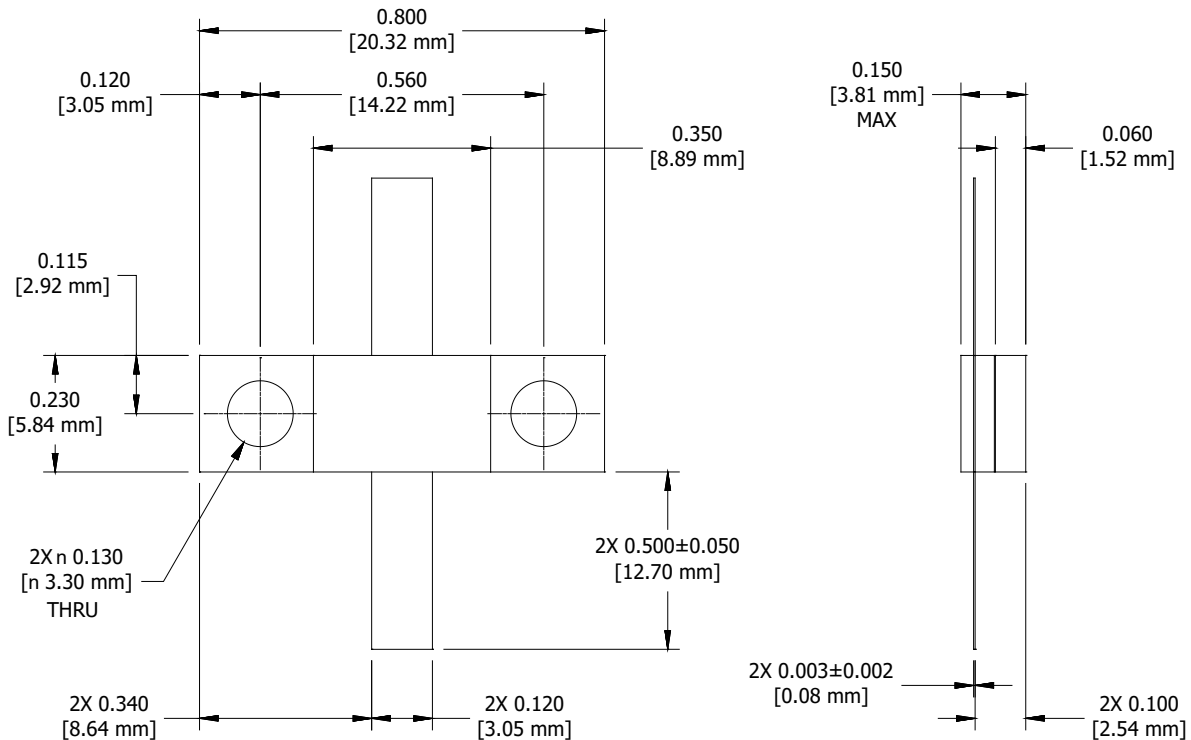
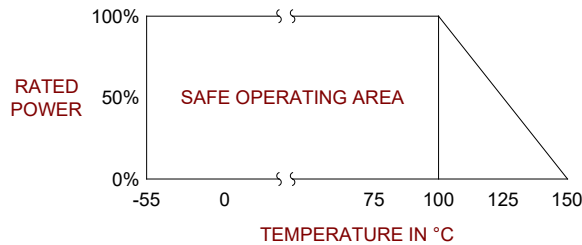
PART SERIES: 31A1086-X-X

SHEET 2 OF 2
Dwg 31A1086

EN 13-3960
Revision-

6.0 MECHANICAL

Substrate Material:	Beryllium Oxide
Resistive Film:	Thin Film
Cover Material:	Alumina
Tab Material:	Beryllium Copper
Tab Finish:	Silver plated
Flange Material:	Copper
Flange Finish:	Nickel
Metric Dimensions:	Provided for reference only



Unless Otherwise Specified: TOLERANCE: X.XX = ± 0.02 X.XXX = ± 0.010