

**ORDERING INFORMATION****PART IDENTIFIER: CT2010F****SPECIFICATIONS****1. ELECTRICAL:**

Impedance:	50 $\Omega$ Nominal.
Frequency:	DC - 4 GHz.
VSWR:	1.25:1 Max.
Input Power:	Heat Sink 100°C: 20 Watts. (Derate Power Linearly To 0 Watts @ 125°C).

**2. ENVIRONMENTAL:**

Non-Operating Temperature:	-55°C To +150°C.
Operating Temperature:	-55°C To +125°C.

**3. MARKING:**

Unit Marking:	No Marking.
---------------	-------------

**4. QUALITY ASSURANCE:**

Sample Inspect Per ANSI/ASQC Z1.4 General Inspection, Level II, AQL = 1.0.

Visual And Mechanical Per 824W154.

DC Resistance: 50  $\Omega \pm 5\%$ .

Data Requirements:

No Test Data Required for Customer.

Data Retention – Standard.

**5. PACKAGING:**

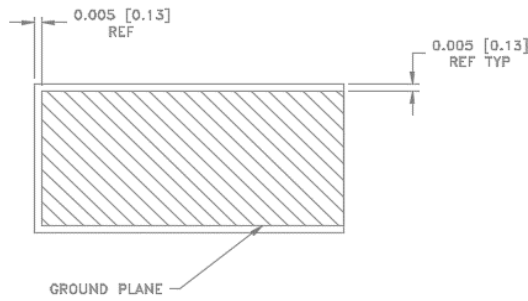
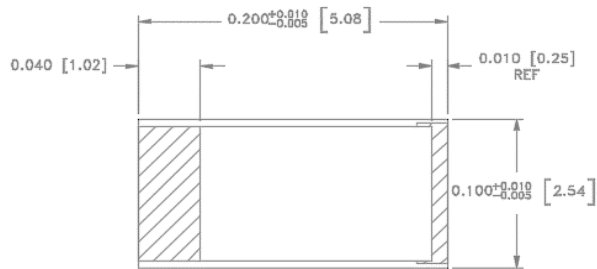
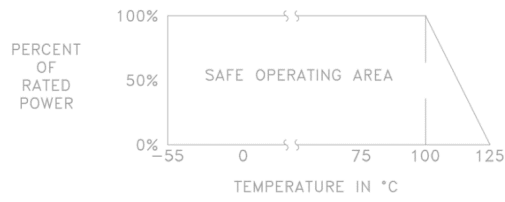
Standard Pack per 755W002.

**6. MECHANICAL:**

Substrate (Material):	Beryllia, ASTM F356.
Terminal and Ground Plane (Material):	Thick Film, Nickel Barrier, RoHS Compliant.
Resistive Element (Material):	Thick Film.



POWER RATING AND DERATING



Unless Otherwise Specified:

TOLERANCE: X.XX = ± 0.02 X.XXX = ± 0.010.