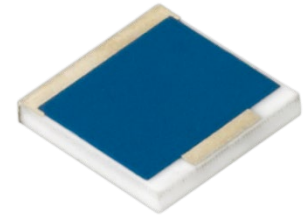


## ORDERING INFORMATION

PART IDENTIFIER: CT3737



## SPECIFICATIONS

**1. ELECTRICAL:**

Nominal Impedance:	50 $\Omega$ .
Frequency Range:	DC- 2 GHz.
VSWR:	1.35:1 Max.
Input Power CW:	Heat Sink 100°C: 250 Watts. (Derate Power Linearly To 0 Watts @ 125°C).
Peak Power:	2500 Watts (Based On 100 $\mu$ s Pulse Width And 1% Duty Cycle).
DC Resistance:	50 $\Omega \pm 5$ %.

**2. ENVIRONMENTAL:**

Operating Temperature:	-55°C to +150°C.
Non-operating Temperature:	-55°C to +150°C.
Temperature Coefficient:	+/-200 PPM / °C max.

**3. MARKING:**

Unit Marking:	None.
---------------	-------

**4. QUALITY ASSURANCE:**

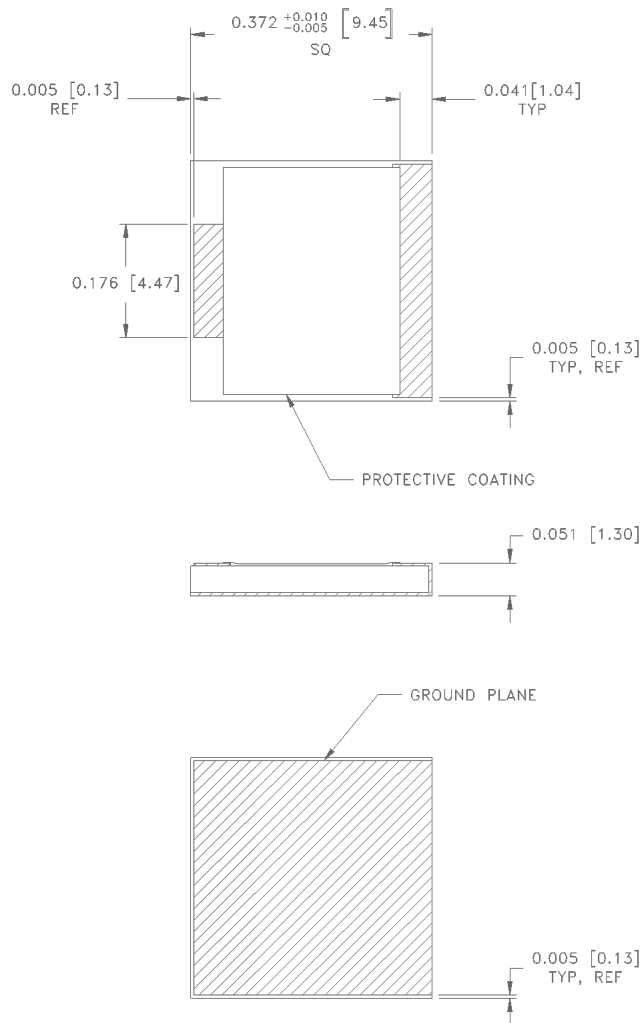
Visual and Mechanical Inspection:	Per 824W107.
DC Resistance Check:	100% DC Resistance Check.
Data Retention:	Standard.

**5. PACKAGING:**

Standard Packaging:	Standard pack per 755W002.
---------------------	----------------------------

**6. MECHANICAL:**

Substrate Material:	Beryllia.
Resistive Film:	Thick Film.
Terminal Material:	Thick Film, Nickel Barrier, Solder Plating.
Workmanship:	Per MIL-STD-454, requirement 9.
Metric Dimensions:	Provided for reference only.



Unless Otherwise Specified:

Tolerance: X.XX =  $\pm 0.01$  X.XXX =  $\pm 0.005$ .