



ORDERING INFORMATION

PART IDENTIFIER: CT1005TALNF

SPECIFICATIONS

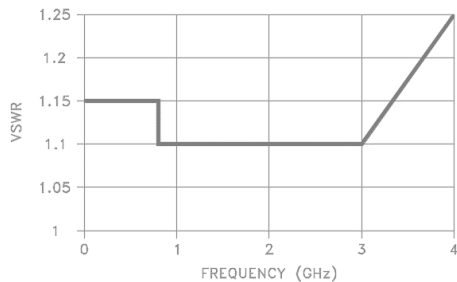
1. ELECTRICAL:

Impedance: 50 Ω Nominal.

DC Resistance: 44 Ω Nominal.

Frequency: DC - 4 GHz.

VSWR:



Input Power: Heat Sink 100°C: 15 Watts. (Derate Power Linearly To 0 Watts @ 150°C).

2. ENVIRONMENTAL:

Non-Operating Temperature: -55°C To +150°C.

Operating Temperature: -55°C To +125°C.

3. MARKING:

Unit Marking: None

4. QUALITY ASSURANCE:

Sample Inspect Per ANSI/ASQC Z1.4 General Inspection, Level II, AQL = 1.0.

Visual And Mechanical Per 824W154.

DC Resistance Check (Go/No Go): 44 Ω ± 5%.

Data Requirements:

No Test Data Required for Customer.

Data Retention – Standard.



5. PACKAGING:

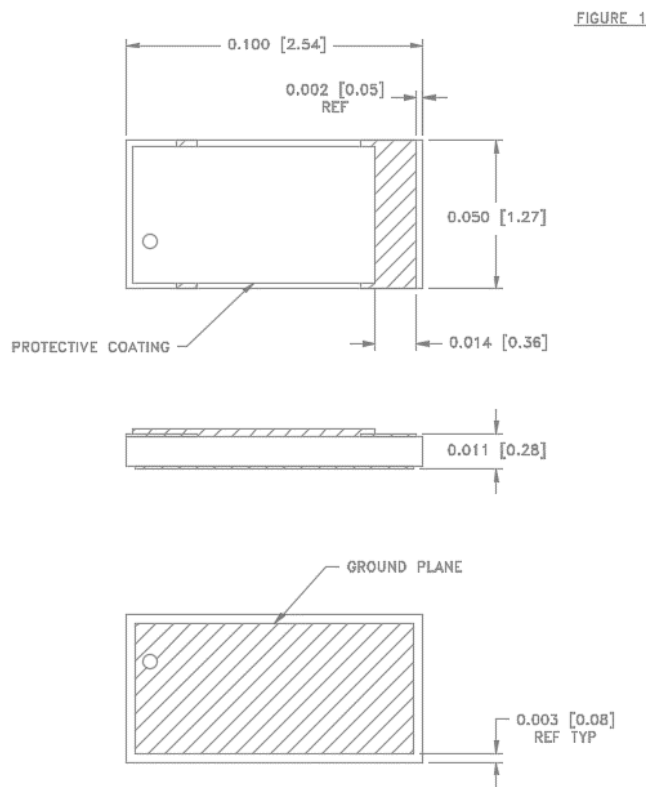
Standard Pack per 755W002.

6. MECHANICAL:

Substrate (Material): Aluminum Nitride MIL-I-10.

Terminals and Ground Plane (Material): Thick Film, Lead Free Plating. RoHS Compliant.

Resistive Element (Material): Thick Film.



Unless Otherwise Specified: TOLERANCE: X.XX = ± 0.02 X.XXX = ± 0.010.