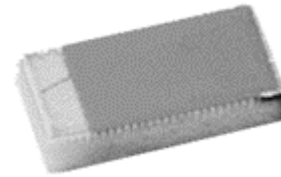


ORDERING INFORMATION

PART IDENTIFIER: CT2010



SPECIFICATIONS

1. ELECTRICAL:

Nominal Impedance:	50 Ω .
Frequency Range:	DC- 4 GHz.
VSWR:	1.25:1 Max.
Input Power CW:	Heat Sink 100°C: 20 Watts. (Derate Power Linearly to 0 Watts @ 125°C).
Peak Power:	200 Watts (Based on 100 μ s pulse width and 1% duty cycle).
DC Resistance:	50 Ω \pm 5 %.

2. ENVIRONMENTAL:

Operating Temperature:	-55°C to +150°C.
Non-operating Temperature:	-65°C to +150°C.
Temperature Coefficient:	+/-200 PPM / °C max.

3. MARKING:

Unit Marking:	No Marking.
---------------	-------------

4. QUALITY ASSURANCE:

Visual and Mechanical Inspection:	Per 824W107.
DC Resistance Check:	100% DC Resistance Check.
Data Retention:	Standard.

5. PACKAGING:

Standard Packaging:	Tape and Reel.
---------------------	----------------

6. MECHANICAL:

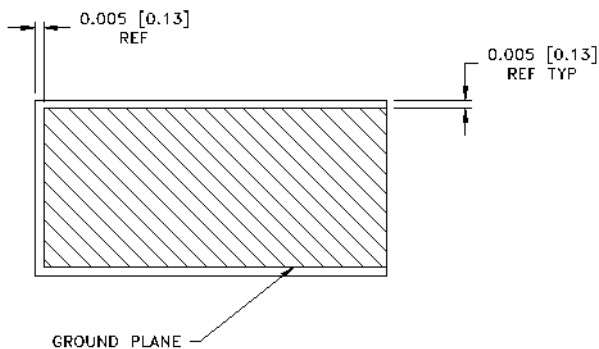
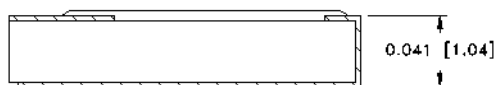
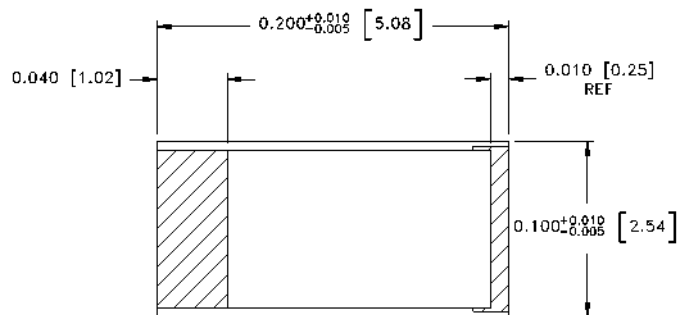
Substrate Material:	Beryllia.
Resistive Film:	Thick Film.
Terminal Material:	Thick Film, Nickel Barrier, Solder Plating.
Workmanship:	Per MIL-STD-454, requirement 9.
Metric Dimensions:	Provided for reference only.

TERMINATION CHIP 20 WATT

DATASHEET PART SERIES: CT2010

Sheet 2 of 2
Doc# CT2010-1008665

ECO-083989
Revision N



Unless Otherwise Specified: TOLERANCE: X.XX = ± 0.01 X.XXX = ± 0.005.