

# Tortac® Contact

High reliability contact technology for high vibration PCB mount applications



The Tortac® socket is a high-reliability contact designed to meet the demands of modern assembly processes and the harshest operating conditions. Its main features include:

#### **PCB mounting:**

The Tortac® contact is designed to be mounted directly onto a printed circuit board (PCB), ensuring a secure and stable connection between the component and the circuit.

#### **Stable signal transmission in high vibration and shock environments:**

One of the strengths of the Tortac® is its robustness. It is designed to provide no micro interruptions in harsh operating conditions, including high vibration and shock environments.

#### **Pass-through design:**

The pass-through design of the Tortac® socket allows easy integration and connection of pins across the PCB, facilitating the design and layout of the circuit.

#### **Designed for reflow soldering process:**

The Tortac® socket is designed for reflow soldering process, an industry standard that ensures efficient and reliable soldering of components onto the PCB, minimizing soldering defects and improving the overall quality of the final product. In addition, the contact is compatible with other solder methods such as wave soldering process.

#### **Ready for automatic handling with pick-and-place machines:**

To optimize production, the Tortac® socket is designed to be compatible with pick and place machines, which automate the positioning of components on the PCB. This feature speeds up the assembly process, reducing production time and associated costs.

#### **Reel packaging available:**

Tortac® is available in reel-to-reel packaging, further facilitating its use in automated production environments. This type of packaging supports the efficiency of high-speed

Specifically designed  
for demanding electronics  
components operating  
in harsh conditions

## Features & benefits

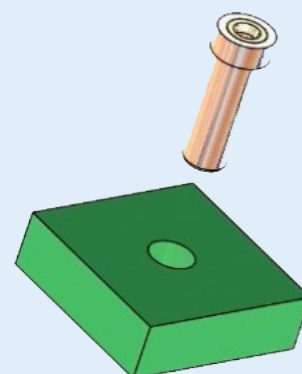
- Stable signal transmission
- High current handling vs. small size
- Self cleaning action
- Long cycle life: 10,000 cycles
- No micro interruptions in harsh operating conditions

## Key characteristics:

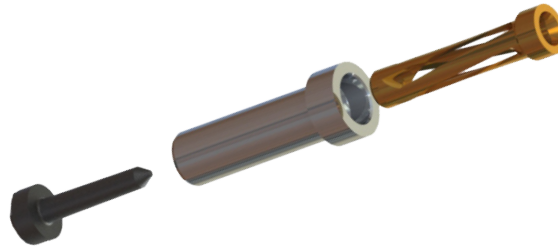
- Contact diameter: 0.45mm standard – 0.6, 0.75, and 1mm available on demand
- Contact resistance for Ø0.45mm contact: < 15 mΩ
- Current rating for Ø0.45mm contact: 3A

## Engineering expertise

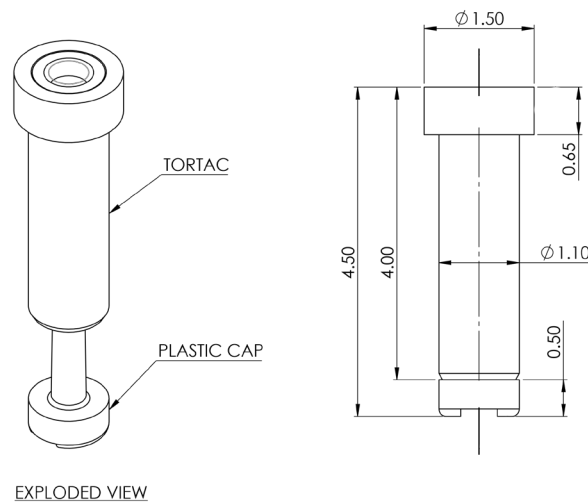
- Designed for reflow soldering process but suitable for other solder methods such as wave soldering process
- Non-magnetic version on demand



# Technical Characteristics



Materials	
Contact	Gold plated Copper Beryllium
Outer Shell	Tin plated brass
Cap	Disposable PPS cap for pick & place assembly process
Contact Characteristics	
Temper (after heat treatment)	TH04
Electrical Conductivity	25% IACS
Operating temperature	-55°C / +125°C
Contact diameter	Ø 0.45 mm standard - Ø 0.6, 0.75 and 1 mm on demand
Contact Resistance	< 15 mΩ
Current rating	3A standard – up to 8A possible depending on contact diameter
Contact plating	1.27mm Au over Ni under-plate



Stable connection  
between the  
component and  
the circuit

more > [smithsinterconnect.com](https://smithsinterconnect.com) | [in](#) [X](#) [v](#)