

UNLESS OTHERWISE SPECIFIED TOLERANCES ARE ±.005" (.127mm)

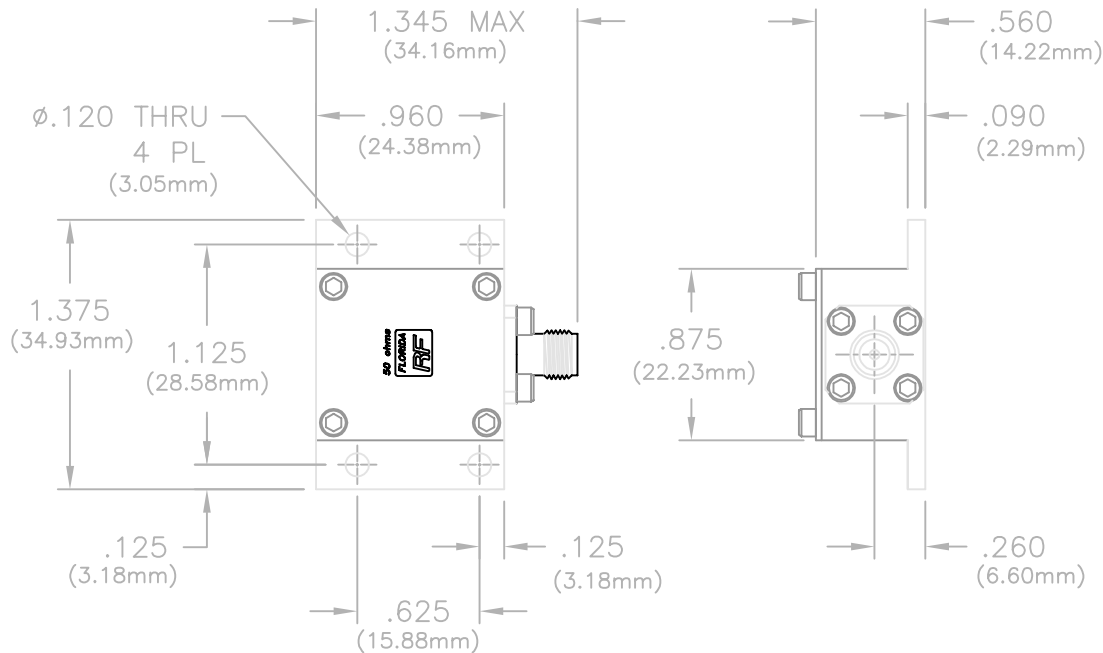
CAD#123007SFA2

DRAWING NO.

12-3007SF

REV.

A




MATERIALS:

BASE HOUSING: ALUMINUM
 SUBSTRATE: BERYLLIUM OXIDE
 RESISTIVE FILM: NICHROME
 SCREWS: STAINLESS STEEL
 CONNECTOR:

BODY: STAINLESS STEEL PER QQ-S-764
 CLASS 303 OR ASTM-A-582-80
 CONTACT: BERYLLIUM COPPER PER QQ-C-530
 INSULATOR: TEFLON PER L-P-403 OR
 ASTM-D-1710

FINISH:

BASE HOUSING: NICKEL PER MIL-C-26074E
 CONNECTOR:
 BODY: CORROSION RESISTANT IAW MIL-STD-202
 CONTACT: GOLD PER MIL-G-45204B

				<u>UNLESS OTHERWISE SPECIFIED</u>			REFERENCE		 P.O. BOX 899 STUART, FL. 34995	
				1. DIMENSIONS ARE AFTER PLATING 2. DIAMETERS ON COMMON Q TO BE CONCENTRIC WITHIN _____ T.I.R. 3. SURFACE ROUGHNESS _____ ✓ 4. CORNERS AND EDGES _____ R. MAX. 5. REMOVE BURRS AND BREAK SHARP EDGES			CATALOG			
				<u>TOLERANCES</u> DECIMAL FRACTION ANGLES .X ± _____ .XX ± _____ ± _____ .XXX ± _____			MATERIAL _____		TITLE	
							FINISH _____		TERMINATION, SMA JACK, 100 WATT	
A	DCN#0608	03/98		SCALE	CAGE CODE ID NO.	SIZE	DRAWING NO.	REV.		
N/C	RLSE#02126	4/97	MTG	1X	2Y194	A	12-3007SF	A		
REV.	DESCRIPTION	DATE	APPR.	APPR.	R FIELDS 05/02/97	CHK	PSC 05/02/97	DRAWN	GEC 04/04/97	SHEET 1 OF 2

ALL DIMENSIONS ARE IN INCHES

CAD#123007SFA3

DRAWING NO.

12-3007SF

REV.

A

REQUIREMENTS	RATING	REQUIREMENTS	RATING
NOMINAL IMPEDANCE (OHMS)	50	INTERFACE DIMENSIONS	MIL-STD-39012 /SMA Series
FREQUENCY RANGE (GHz)	DC - 3.0		
TEMPERATURE COEFFICIENT	LESS THAN 200 PPM	VIBRATION	MIL-STD-202 METHOD 204 COND. D (20 G's)
OPERATING TEMPERATURE (°C)	-55 TO +125		
VSWR (MAXIMUM)	DC - 3.0 GHz: 1.25:1	SHOCK	MIL-STD-202 METHOD 213 COND. 1 (100 G's)
AVERAGE POWER (WATTS)	100		
DC RESISTANCE	50 OHMS \pm 5%	THERMAL SHOCK	MIL-STD-202 METHOD 107 COND. B (-65 TO +125)°C
		BAROMETRIC PRESSURE	MIL-STD-202 METHOD 105 COND. C
<p style="text-align: center;"><u>AVERAGE POWER DERATING</u></p>			

TITLE TERMINATION, SMA
JACK, 100 WATT



P.O. BOX 899
Stuart, FL. 34995

DRAWN GEC 4/7/97

SHEET 2 OF 2

DRAWING NO.

12-3007SF

REV.

A