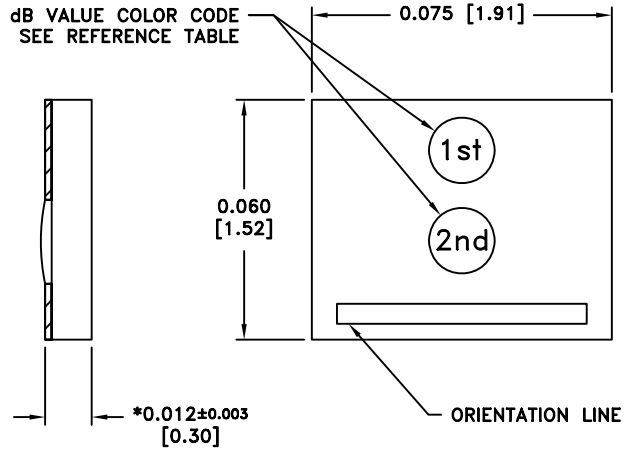
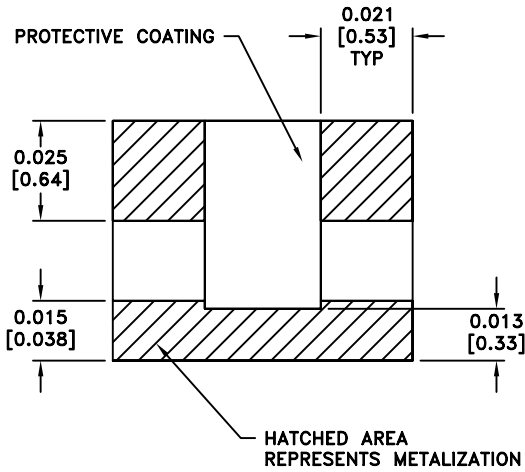




PART ID REF
HR05XXXS



**MECHANICAL SPECIFICATIONS:**

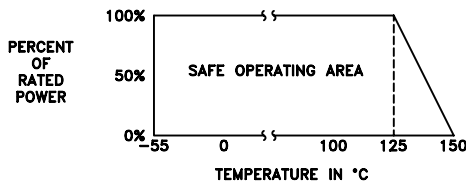
**SUBSTRATE:**  
 MATERIAL - ALUMINA 96%, MIL-I-10.  
**TERMINAL:**  
 MATERIAL - THICK FILM, NICKEL BARRIER,  
 SOLDER COATED.  
**RESISTIVE ELEMENT:**  
 MATERIAL - THIN FILM, TANTALUM NITRIDE.

\* DIMENSIONS APPLY BEFORE SOLDER. ALLOW  
 0.015 MAX FOR ALL PRETINNED SURFACES.

REFERENCE TABLE					
dB VAL	DOT COLOR		dB VAL	DOT COLOR	
	1st	2nd		1st	2nd
0	BLK	---	11	BRN	BRN
1	BRN	---	12	BRN	RED
2	RED	---	13	BRN	ORG
3	ORG	---	14	BRN	YEL
4	YEL	---	15	BRN	GRN
5	GRN	---	16	BRN	BLU
6	BLU	---	17	BRN	VIO
7	VIO	---	18	BRN	GRY
8	GRY	---	19	BRN	WHT
9	WHT	---	20	RED	BLK
10	BRN	BLK			

METRIC EQUIVALENTS GIVEN IN [mm]  
 FOR REFERENCE INFORMATION ONLY

**POWER RATING AND DERATING**



 8851 SW OLD KANSAS AVE STUART, FL 34997 PHONE NO. (772)286-9300 FAX NO. (772)283-5286	UNLESS OTHERWISE SPECIFIED DIMENSIONS ARE IN INCHES <b>TOLERANCES</b> FRACT --- ANG --- XX --- XXX ±0.005 XXXX ---	THESE DRAWINGS AND SPECIFICATIONS ARE THE PROPERTY OF EMC TECHNOLOGY INC AND SHALL NOT BE DUPLICATED OR USED AS BASIS FOR THE MANUFACTURE OR SALE OF PARTS OR DEVICES WITHOUT PERMISSION.					
	CAGE CODE <b>24602</b>	SCALE <b>32:1</b>	DRAWN BY <b>JG 12/8/04</b>	CHECKED BY 	APPROVED BY <b>DAR 12/8/04</b>		
	REV <b>B</b>	CHANGE NOTICE <b>EN 09-E1001</b>	DRAWING NO <b>1009965000</b>	SHEET <b>2 OF 2</b>			