

TITLE: SPECIFICATION CONTROL DRAWING

PART IDENTIFIER: 13-125-T

DESCRIPTION: PILL TERMINATION

ASSEMBLY DWG: 1400224

1.0 SPECIFICATIONS:

1.1 ELECTRICAL:

- 1.1.1 IMPEDANCE: 50 OHMS NOMINAL.
- 1.1.2 FREQUENCY: DC-26.5 GHZ.
- 1.1.3 INPUT POWER (MAX @ 25°C): (DERATED LINEARLY TO ZERO POWER @ 150°C)
 - 1.1.3.1 AVERAGE: 1 WATT.
 - 1.1.3.2 PEAK: 100 WATTS, 100US PULSE WIDTH @ 0.1% DUTY CYCLE.
- 1.1.4 VSWR: DC – 20.1 GHZ 1.35 MAX.
- 1.1.5 SCHEMATIC: SEE SHEET 2, FIG. 2.

1.2 MECHANICAL:

- 1.2.1 OUTLINE DWG: SEE SHEET 2, FIGURE 1.
- 1.2.2 WORKMANSHIP: PER MIL-D-39030.

1.3 ENVIRONMENTAL:

- 1.3.1 TEMPERATURE RANGE:
 - 1.3.1.1 NON-OPERATING: -55°C TO +150°C.
 - 1.3.1.2 OPERATING: -55°C TO +150°C.

2.0 UNIT MARKING: "13-125-T AND EMCT"
LEGIBILITY AND PERMANENCY PER MIL-STD-130.

3.0 QUALITY ASSURANCE:

- 3.1 PERFORM INSPECTION IN ACCORDANCE WITH 824W170 AND 824F036 FOR COMMERCIAL GRADE PRODUCT.
- 3.2 TEST DATA REQUIREMENTS:
 - 3.2.1 NO TEST DATA REQUIRED FOR CUSTOMER.
 - 3.2.2 DATA RETENTION: 24 MONTHS.

4.0 PACKAGING: STANDARD PACK PER 755W002.

EMC TECHNOLOGY 8851 SW OLD KANSAS AVE STUART, FLORIDA 34997	CAGE CODE # 24602		DWG #	1004635000
	CHANGE NOTICE	EN 10-0911	REV LVL	J
			SHEET	1 OF 2

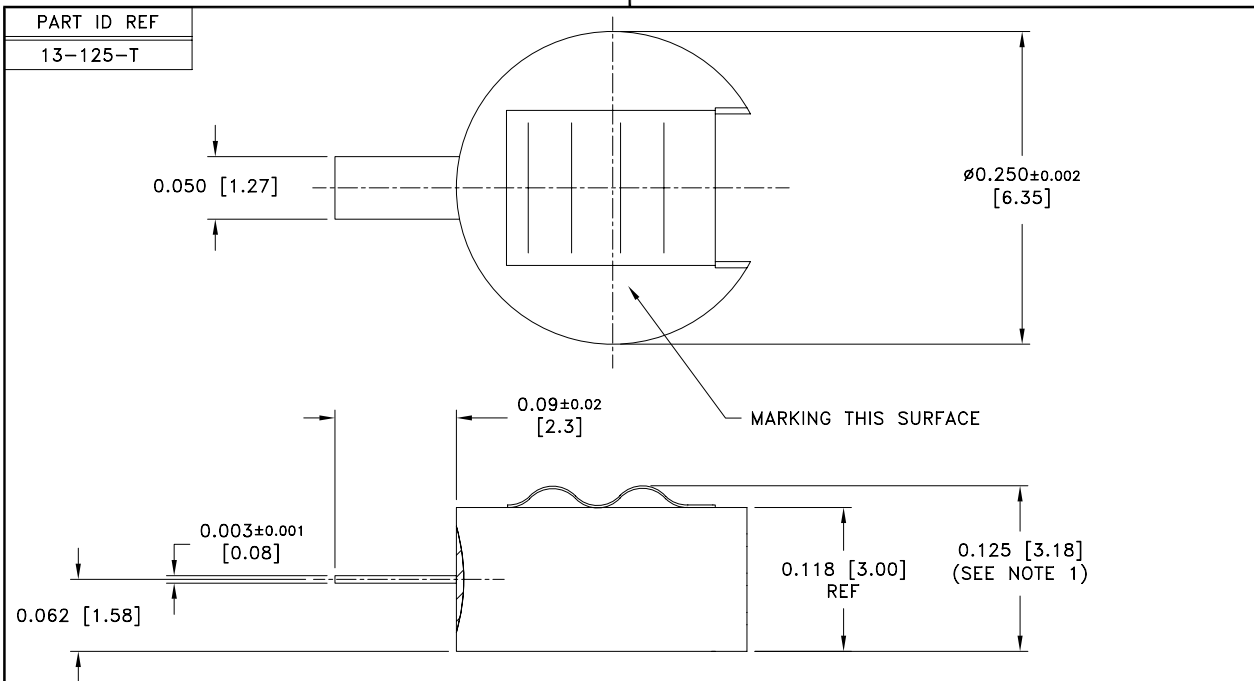


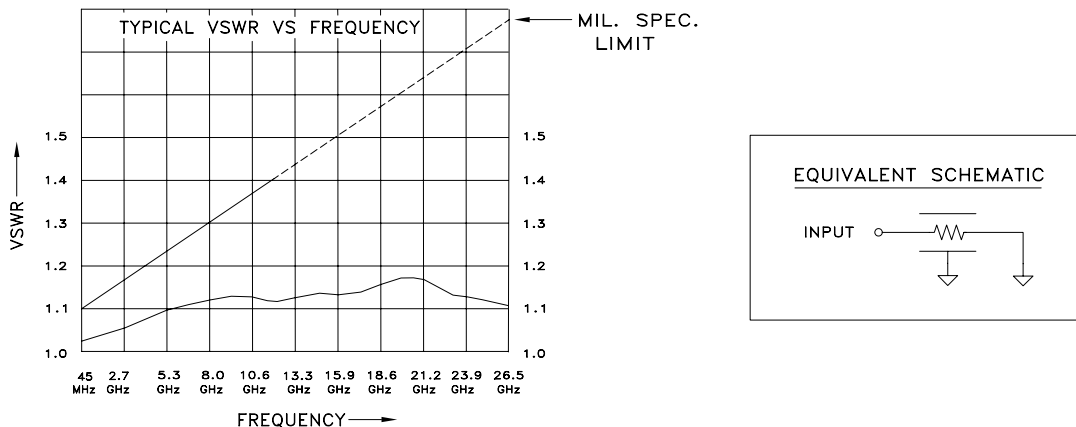
FIGURE 1

MECHANICAL SPECIFICATIONS:

- CASE:**
 MATERIAL - BRASS, ASTM B16.
 FINISH - GOLD, MIL-G-45204, TYPE II, CLASS 1.
- TAB:**
 MATERIAL - BERYLLIUM COPPER, ASTM B197.
 FINISH - GOLD, MIL-G-45204, TYPE II, CLASS 1.
- SPRING:**
 MATERIAL - BERYLLIUM COPPER, ASTM B194.
 FINISH - GOLD, MIL-G-45204, TYPE II CLASS 1.
- CERAMIC:**
 MATERIAL - ALUMINA, MIL-I-10.

METRIC EQUIVALENTS GIVEN IN [mm]
 FOR REFERENCE INFORMATION ONLY

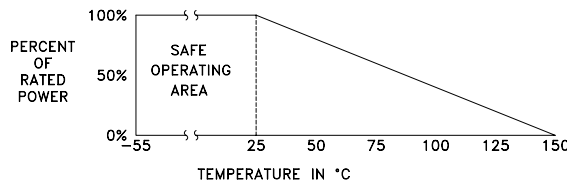
- NOTE:**
 1. MINIMUM EXPANDED SIZE - 0.132 [3.35].
 MAXIMUM COMPRESSED SIZE - 0.123 [3.12].



NOTE: EFFECTS OF TEST FIXTURE REMOVED USING T.D.R. GATING TECHNIQUES.
 (MEASURED ON H.P. 8510 NETWORK ANALYZER)

FIGURE 2

POWER RATING AND DERATING



 8851 SW OLD KANSAS AVE STUART, FL 34997 PHONE NO. (772)286-9300 FAX NO. (772)283-5286	UNLESS OTHERWISE SPECIFIED DIMENSIONS ARE IN INCHES	THESE DRAWINGS AND SPECIFICATIONS ARE THE PROPERTY OF EMC TECHNOLOGY INC AND SHALL NOT BE DUPLICATED OR USED AS BASIS FOR THE MANUFACTURE OR SALE OF PARTS OR DEVICES WITHOUT PERMISSION.					
	TOLERANCES	CAGE CODE	SCALE	DRAWN BY	CHECKED BY	APPROVED BY	
	FRACT --- --	24602	1:1	CME 09/28/2001		DAR 9/28/01	
	ANG --- --	REV	CHANGE NOTICE	DRAWING NO	SHEET		
XX --- --	J	EN 10-0911	1004635000	2	OF 2		
XXX ±0.005							
XXXX --- --							