

# ATTENUATOR CHIP 200 mW



DATA SHEET

PART SERIES: KFAXX.00-X

SHEET 1 OF 3  
Dwg 1011765

EN 16-0836  
Revision D

## FEATURES

- Small Footprint
- Excellent High Frequency Performance
- Surface Mount
- Low VSWR
- Easy Installation
- Wide Attenuation Offering

## APPLICATIONS

- Satellite Communication
- Point-to-Point Radio
- Military
- Instrumentation
- Power Amplifiers



## GENERAL DESCRIPTION

EMC Technology offers the widest selection of chip attenuators worldwide. Chip components are offered in Alumina, Aluminum Nitride, Beryllium Oxide, and CVD diamond for maximum performance.

## ORDERING INFORMATION

**Part Identifier:** KFAXX.00-X

ATTENUATION VALUE

FREQUENCY RANGE

5 = 16 – 36 GHz

## SPECIFICATIONS

### 1.0 ELECTRICAL

Nominal Impedance:	50 ohms
Frequency Range:	16 – 36 GHz
Attenuation Values Available:	0-10 dB
Attenuation Accuracy:	± 0.75 dB
Input Power CW:	200 mW Max
Power Dissipation:	200 mW @ +100°C, derated linearly to zero watt @ +150°C.
VSWR:	1.35:1 Typical

### 2.0 ENVIRONMENTAL

Operating Temperature:	-55°C to +150°C
Non-operating Temperature:	-65°C to +150°C

### 3.0 MARKING

Unit Marking:	dB value
---------------	----------

### 4.0 QUALITY ASSURANCE

Sample Inspect Per MIL-STD-105, Level II, 1.0% AQL.

Visual and Mechanical Inspection for Conformance to Outline Drawing

Measure Attenuation and VSWR

Data Retention - Standard

Measure DCR according to table 2.

# ATTENUATOR CHIP 200 mW



DATA SHEET

PART SERIES: KFAXX.00-X

SHEET 2 OF 3  
Dwg 1011765

EN 16-0836  
Revision D

TABLE 2

dB value	DCR (ohms)	Tolerance
0.0	Continuity only	
1.0	10.35	10.0%
2.0	21.15	10.0%
3.0	32.40	10.0%
4.0	43.00	8.0%
5.0	55.00	8.0%
6.0	66.00	8.0%
7.0	59.00	5.0%
8.0	70.00	5.0%
9.0	80.00	5.0%
10.0	93.00	5.0%

## 5.0 PACKAGING

Standard Packaging:

Waffle packing

## 6.0 MECHANICAL

Substrate Material:

Alumina

Resistive Film:

Thick film

Terminal Material:

Thick film, bondable gold

Protective Coating:

Epoxy based

Ground Plane:

Thick film

Metric Dimensions:

Provided for reference only

# ATTENUATOR CHIP 200 mW

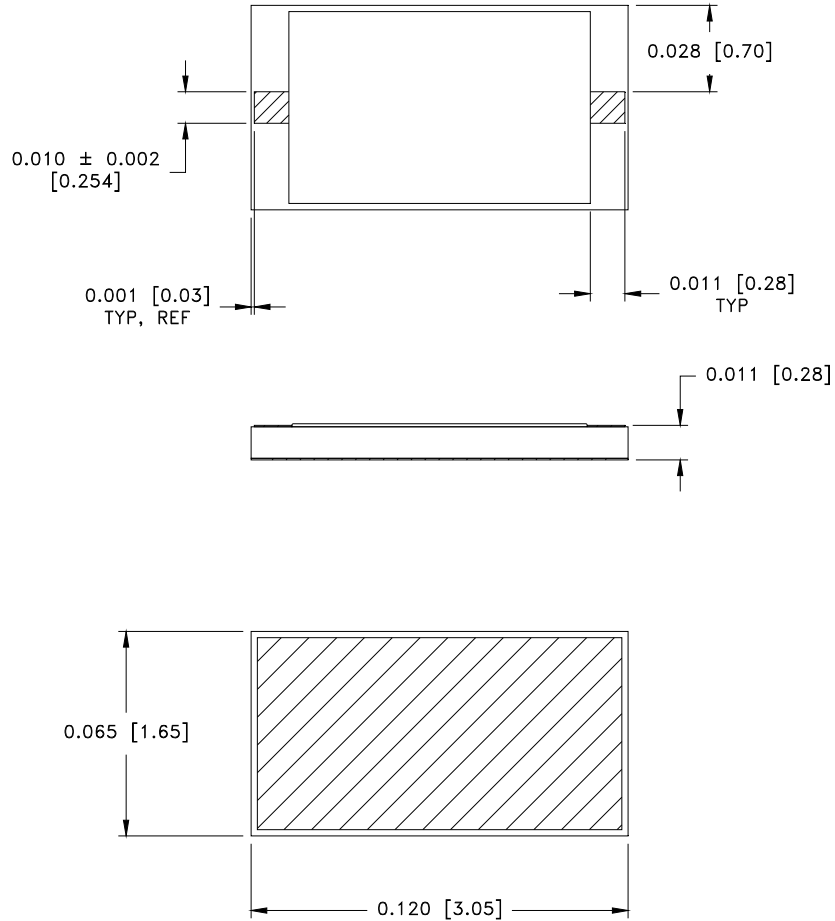


DATA SHEET

PART SERIES: KFAXX.00-X

SHEET 3 OF 3  
Dwg 1011765

EN 16-0836  
Revision D



Note: Specifications are subject to change.

Unless Otherwise Specified: TOLERANCE: X.XX =  $\pm 0.01$  X.XXX =  $\pm 0.005$