

ATTENUATOR TEMPERATURE VARIABLE



DATA SHEET

PART SERIES: MTVA0X00N0XW3F

SHEET 1 OF 3
Dwg 1010735

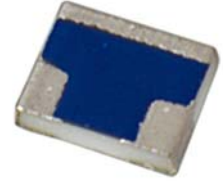
EN 16-0736
Revision E

FEATURES

- Temperature Variable
- Compact Package
- Wideband Performance
- Passive Gain Compensation
- Rugged Construction
- MIL-PRF-3933

APPLICATIONS

- Power Amplifiers
- Instrumentation
- Mobile Networks
- Point-to-Point Radios
- Satellite Communications
- Military Radios
- Up/Down Converters

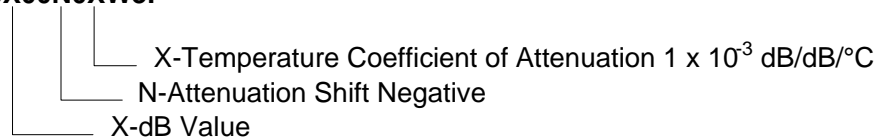


GENERAL DESCRIPTION

EMC Technology is the leading authority in temperature variable attenuators. Thermopad[®] temperature variable attenuators have been a highly reliable passive solution for over temperature gain compensation for more than 20 years. All Thermopad[®] products can be qualified for high-reliability and space applications.

ORDERING INFORMATION

Part Identifier: **MTVA0X00N0XW3F**



SPECIFICATIONS

1.0 ELECTRICAL

Nominal Impedance:	50 ohms
Frequency Range:	DC-12.4 GHz
Attenuation Values Available:	0-9 dB in 1 dB increments
Attenuation Accuracy:	@ 25°C: ± 0.5 dB @ 1 GHz
VSWR:	1.30:1 Max @ 1 GHz
Input Power	200 milliwatts cw. Full Rated Power to 125°C, Derated Linearly to 0 Watts @ 150°C
Temperature Coefficient of Attenuation:	-0.003,-0.004, -0.005, -0.006, -0.007, -0.008, -0.009 dB/dB/°C
Temperature Coefficient Tolerance:	± 0.001 dB/dB/°C

2.0 ENVIRONMENTAL

Operating Temperature:	-55°C to +150°C
------------------------	-----------------

3.0 MARKING

Unit Marking:	dB Value (XX), Direction Of Shift (N) And TCA Shift (X).
---------------	--

4.0 QUALITY ASSURANCE

Sample Inspect Per ANSI/ASQC Z1.4 General Inspection, Level II, AQL=1.0.
Visual and Mechanical Examination for Conformance to Outline Drawing Requirements
Sample Inspection (Destructive Testing).

Select three (3) units from lot and measure DCA every 20°C over the temperature range of

ATTENUATOR TEMPERATURE VARIABLE



DATA SHEET

PART SERIES: MTVA0X00N0XW3F

SHEET 2 OF 3
Dwg 1010735

EN 16-0736
Revision E

-55°C to +125°C; Calculate using linear regression, the slope of the curve.

Calculate TCA using the following formula:

$$TCA = \frac{\text{Slope}}{\text{Attenuation @ 25}^\circ\text{C}}$$

Inspection in accordance with 824W107

Test Data Requirements:

No Data Required for Customer

Data Retention – 24 Months

5.0 PACKAGING

Standard:

Tape & Reel

6.0 MECHANICAL

Substrate Material:

Alumina, 96% MIL-I-10

Terminal Material:

Thick Film, Nickel Barrier, Lead Free Plating

Workmanship

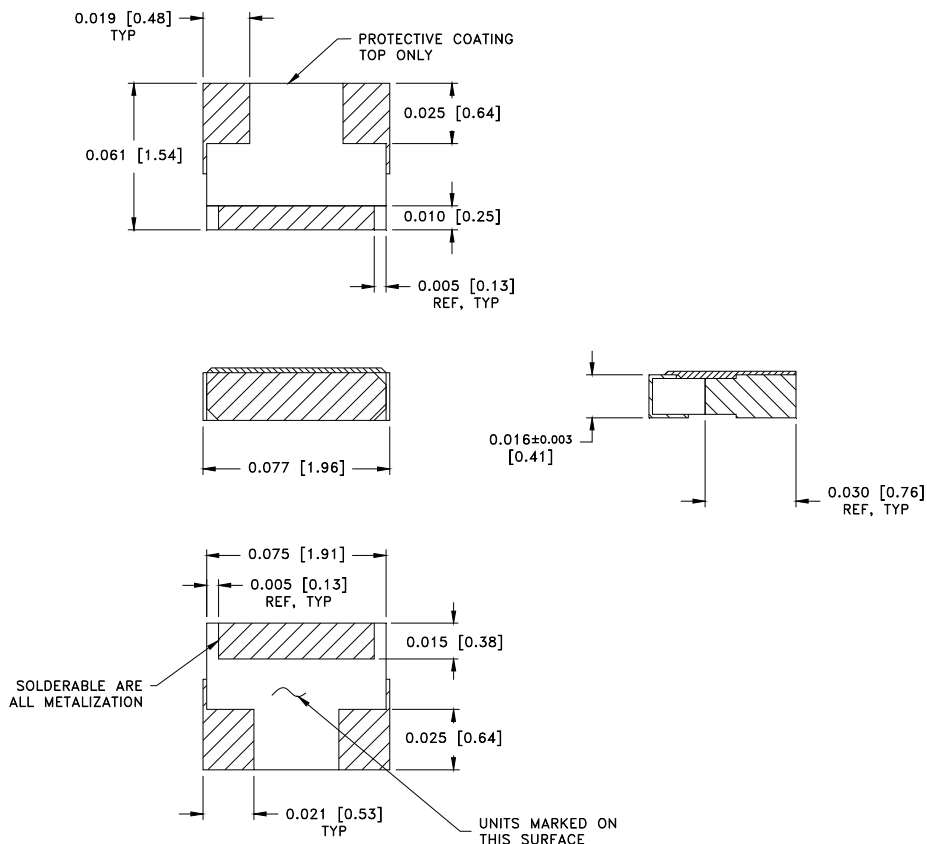
Per MIL-PRF-55342

Resistive Element:

Thick Film

Metric Dimensions:

Provided for reference only



Unless Otherwise Specified: TOLERANCE: X.XXX = ± 0.005

ATTENUATOR TEMPERATURE VARIABLE



DATA SHEET

PART SERIES: MTVA0X00N0XW3F

SHEET 3 OF 3
Dwg 1010735

EN 16-0736
Revision E

7.0 FOOTPRINT

Part Number	Inches						mm					
	A	B	C	D	S	W	A	B	C	D	S	W
MTVA0X00N0XW3F	0.022	0.028	0.041	0.013	0.026	0.075	0.56	0.71	1.04	0.33	0.66	1.91

