

TERMINATION CVD DIAMOND 125 WATTS, TAB



DATA SHEET

PART SERIES: CT1310DT

SHEET 1 OF 2
Dwg 1015435

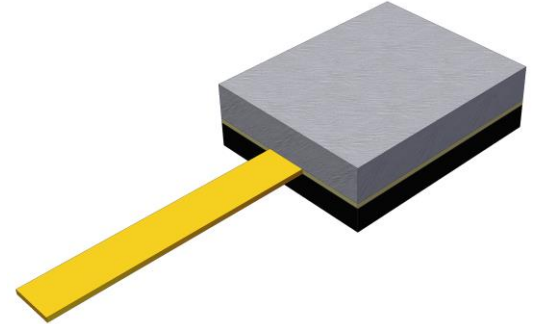
EN 15-2066
Revision -

FEATURES

- Small Size - Light Weight
- Highest Thermal Performance Possible
- Excellent Peak Power Capability
- Rugged Passivated TaN Film
- Moisture Resistant
- Pure Gold Input Pads
- Wire Bondable or Solderable
- High Power

APPLICATIONS

- Broadcast
- High Power Filters
- High Power Amplifiers
- Instrumentation
- Isolators
- Military
- Satellite Communications
- Phased Array Radar



GENERAL DESCRIPTION

CVD Diamond Terminations offer extremely high power ratings and smallest size watt-per-watt of any termination on the planet. These terminations are ideal for military and space applications because of their high power capability, broad frequency response and small, light-weight size. They are ideal for peak power applications. They are manufactured using all thin film construction and have a pure thin film gold finish that is both wire bondable and solderable. They can be supplied with or without solderable tabs. High reliability tested versions per MIL-PRF-55342 are also available. These products are lead free, RoHS compliant and S-level approved. They also meet NASA out-gassing requirements for space applications.

ORDERING INFORMATION

Part Identifier: **CT1310DT**

SPECIFICATIONS

1.0 ELECTRICAL

Nominal Impedance:	50 Ω \pm 5%
Frequency Range:	DC – 14 GHz
Input Power:	125 Watts
Peak Power:	1250 Watts (1 μ s pulse width/1% duty cycle)
VSWR:	1.5:1 Max

2.0 ENVIRONMENTAL

Operating Temperature:	-55°C To +125°C
Non-operating Temperature:	-55 °C To +150 °C
Temperature Coefficient:	\pm 200 PPM/°C Max

3.0 MARKING

Unit Marking:	None
---------------	------

4.0 QUALITY ASSURANCE

Sample Inspect Per MIL-STD-105, Level II, 1.0% AQL.
Visual and Mechanical Inspection for Conformance to Outline Drawing
Measure DC Resistance
Data Retention - Standard

5.0 PACKAGING

Standard:	Waffle Packaging
-----------	------------------

TERMINATION CVD DIAMOND 125 WATTS, TAB



DATA SHEET

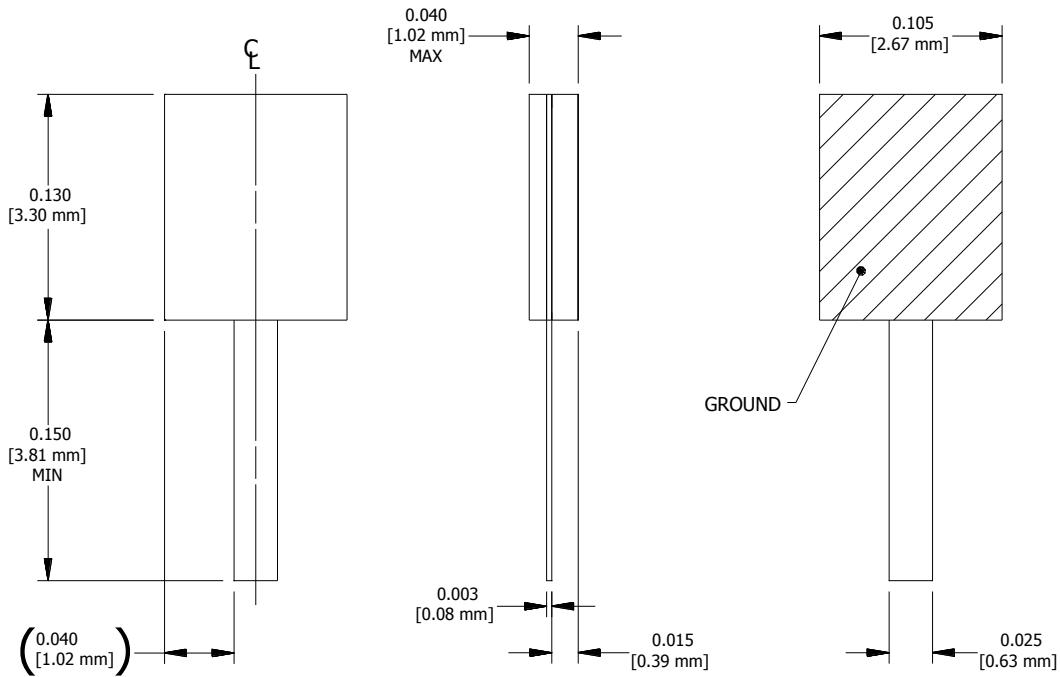
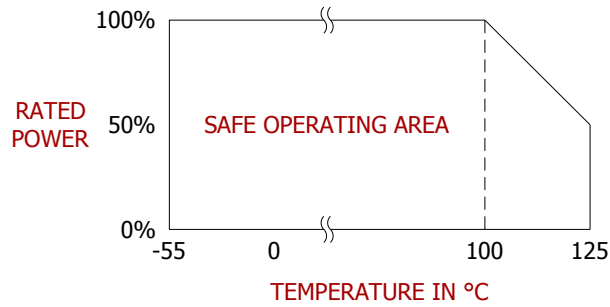
PART SERIES: CT1310DT

SHEET 2 OF 2
Dwg 1015435

EN 15-2066
Revision -

6.0 MECHANICAL

Substrate Material:	CVD Diamond
Resistive Element:	Passivated TaN
Ground Plane Metallization:	Gold over Platinum
Terminal Metallization:	Gold over Nickel
Tabs:	Beryllium Copper; Gold Plated
Metric Dimensions:	Provided for reference only



Unless Otherwise Specified: TOLERANCE: X.XX = ± 0.01 X.XXX = ± 0.005