

TITLE: SPECIFICATION CONTROL DRAWING

PART IDENTIFIER: 8432

DESCRIPTION: 50 OHM FLANGE LOAD

ASSEMBLY DWG: 2100014

1.0 SPECIFICATIONS:

- 1.1 ELECTRICAL:
 - 1.1.1 IMPEDANCE: 50 OHMS NOMINAL.
 - 1.1.2 FREQUENCY RANGE: DC-18 GHZ.
 - 1.1.3 INPUT POWER (MAX @ 60°C): (DERATED LINEARLY TO ZERO POWER @ 150°C)
 - 1.1.3.1 AVERAGE: 1 WATT.
 - 1.1.3.2 PEAK: 100 WATTS (100 US PULSE WIDTH AND 0.1% DUTY CYCLE).
 - 1.1.4 VSWR: DC TO 4.0 GHZ - 1.10 MAX.
4.0 TO 8.0 GHZ - 1.15 MAX.
8.0 TO 12.0 GHZ - 1.20 MAX.
12.0 TO 18.0 GHZ - 1.30 MAX.
- 1.2 MECHANICAL:
 - 1.2.1 OUTLINE DWG: SEE SHEET 2.
- 1.3 ENVIRONMENTAL:
 - 1.3.1 TEMPERATURE RANGE:
 - 1.3.1.1 NON-OPERATING: -55°C TO +150°C.
 - 1.3.1.2 OPERATING: -55°C TO +150°C.
 - 1.3.2 VIBRATION: PER MIL-STD-202, METHOD 201 AND MIL-D-39030.
 - 1.3.3 SHOCK: PER MIL-STD-202, METHOD 213, COND. I.
 - 1.3.4 MOISTURE: PER MIL-STD-202, METHOD 106 AND MIL-D-39030 EXCEPT LOADING VOLTAGE IS NOT APPLICABLE.

2.0 UNIT MARKING: "EMCT"
LEGIBILITY AND PERMANENCY PER MIL-STD-130.

3.0 QUALITY ASSURANCE:

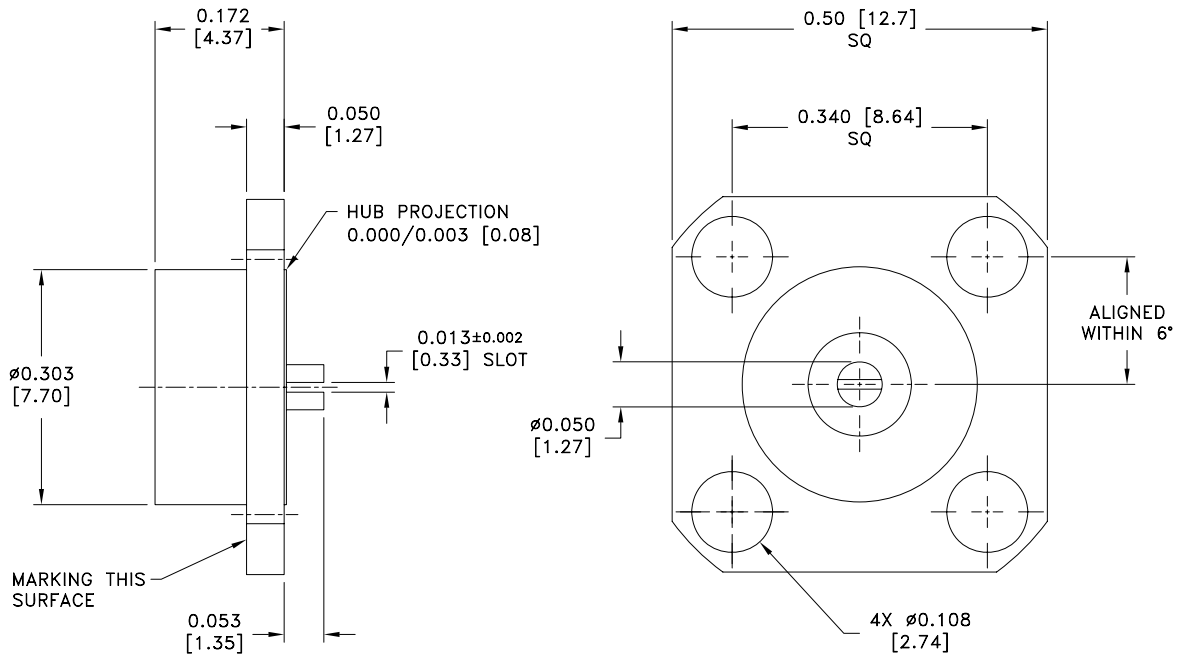
- 3.1 PERFORM INSPECTION IN ACCORDANCE WITH 824W170 AND 824F036 FOR COMMERCIAL GRADE PRODUCT.
- 3.2 TEST DATA REQUIREMENTS:
 - 3.2.1 NO TEST DATA REQUIRED FOR CUSTOMER.
 - 3.2.2 DATA RETENTION – 24 MONTHS.

4.0 PACKAGING: STANDARD PACK PER 755W002.

EMC TECHNOLOGY 8851 SW OLD KANSAS AVE STUART, FLORIDA 34997	CAGE CODE # 24602		DWG #	1000195000
	CHANGE NOTICE	EN 10-0911	REV LVL	F
			SHEET	1 OF 2

PART ID REF

8432

**MECHANICAL SPECIFICATIONS:****FLANGE FACE:**

MATERIAL - ALUMINUM ALLOY, QQ-A-250.
FINISH - CHROMATE, MIL-C-5541.

FLANGE HUB:

MATERIAL - ALUMINUM ALLOY, QQ-A-225.
FINISH - CHROMATE, MIL-C-5541.

PIN:

MATERIAL - BERYLLIUM COPPER, ASTM B197.
FINISH - GOLD, MIL-G-45204, TYPE II, CLASS 1.

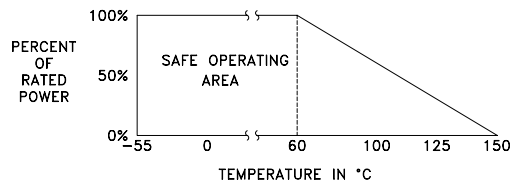
DIELECTRIC:

MATERIAL - TEFLON, ASTM D1710.

CERAMIC:

MATERIAL - ALUMINA, MIL-I-10.

METRIC EQUIVALENTS GIVEN IN [mm]
FOR REFERENCE INFORMATION ONLY

POWER RATING AND DERATING

8851 SW OLD KANSAS AVE
STUART, FL 34997
PHONE NO. (772)286-9300
FAX NO. (772)283-5286

UNLESS OTHERWISE
SPECIFIED DIMENSIONS
ARE IN INCHES

TOLERANCES

FRACT	---
ANG	---
XX	±0.01
XXX	±0.005
XXXX	---

THESE DRAWINGS AND SPECIFICATIONS ARE THE PROPERTY OF EMC TECHNOLOGY INC AND SHALL NOT BE DUPLICATED OR USED AS BASIS FOR THE MANUFACTURE OR SALE OF PARTS OR DEVICES WITHOUT PERMISSION.

CAGE CODE	SCALE	DRAWN BY	CHECKED BY	APPROVED BY
24602	1:1	CME 08/15/2001		DAR 8/21/01
REV	CHANGE NOTICE	DRAWING NO	SHEET	
F	EN 10-0911	1000195000	2 OF 2	