

# SPECIFICATION CONTROL DRAWING

PART IDENTIFIER: R080-187B -X-X  
 TOLERANCE VALUE

DESCRIPTION: ROD RESISTOR, BERYLLIA

ASSEMBLY DWG: R080-187B

SPECIFICATIONS:

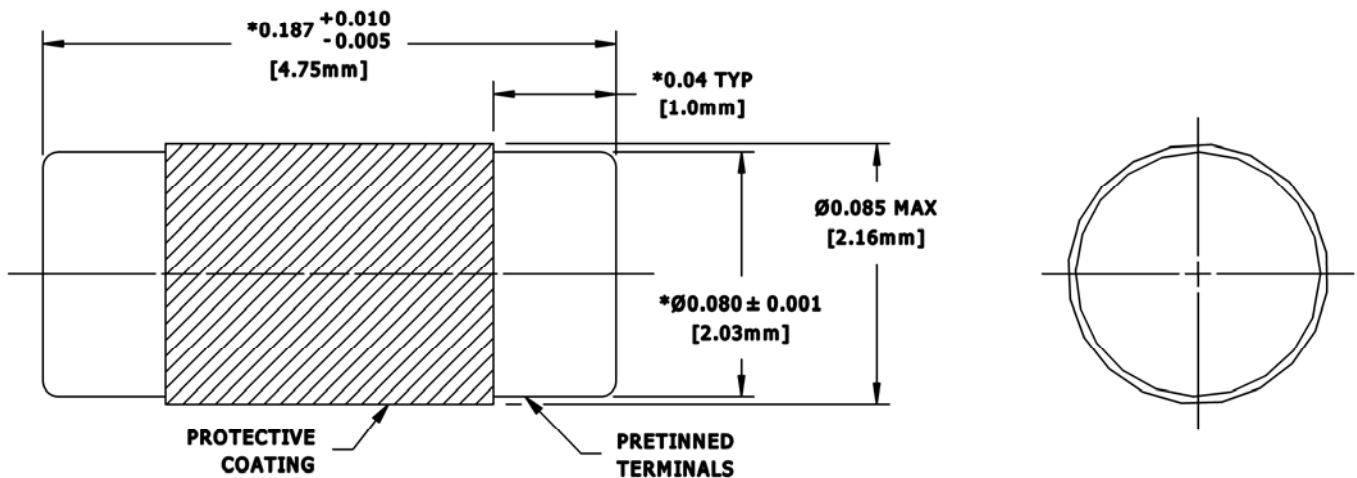
- ELECTRICAL: RESISTANCE RANGE: 10 OHMS TO 50 OHMS\*\*  
 TOLERANCE: 1%, 2% OR 5%  
 POWER HANDLING: 15 WATTS (-55° C - 80° C, DERATE LINEARLY TO 0 WATTS @ 150° C)
- MECHANICAL WORKMANSHIP: PER MIL-STD-454, REQUIREMENT 9
- ENVIRONMENTAL: TEMPERATURE RANGE: -55° C TO +150° C
- MATERIAL: SUBSTRATE: BERYLLIA 99.5% ASTM F356  
 TERMINAL: SOLDER COATED NICKEL  
 RESISTIVE FILM: NICHROME

UNIT MARKING: NONE

QUALITY ASSURANCE:

- SAMPLE INSPECT PER ANSI/ASQC Z1.4 GENERAL INSPECTION, LEVEL II, AQL = 1.0
- VISUAL AND MECHANICAL EXAMINATION FOR CONFORMANCE TO CONTROL DRAWING REQUIREMENTS
- 100% DCR TESTING

PACKAGING: STANDARD PACKING PER 755W002



NOTES:  
 \*DIMENSIONS APPLY BEFORE SOLDER. ALLOW 0.020 MAX FOR ALL PRETINNED SURFACES.  
 \*\*CONSULT FOR VALUES OUTSIDE OF THIS RANGE

 8851 SW OLD KANSAS AVE STUART, FL 34997 PHONE NO. (772) 286-9300 FAX NO. (772) 283-5286	UNLESS OTHERWISE SPECIFIED		THESE DRAWINGS AND SPECIFICATIONS ARE THE PROPERTIES OF EMC TECHNOLOGY AND FLORIDA RF LABS AND SHALL NOT BE DUPLICATED OR USED AS BASIS FOR THE MANUFACTURE OR SALES OF PARTS OR DEVICES WITHOUT PERMISSION.		
	NOTES 1. DO NOT SCALE DRAWING 2. DIMENSIONS ARE IN INCHES METRIC EQUIVALENTS GIVEN IN [mm] FOR REFERENCE INFORMATION ONLY	TOLERANCES X.XX ± 0.01 X.XXX ± 0.002 X.XXXX ± 0.0005 FRACTIONS ± 1/16 ANGLES ± 5°	PART ID REF R080-187B	DRAWING NUMBER R080-187B-SCD	REV -