

TERMINATION COAXIAL DC-18 GHz SMA



DATA SHEET

PART SERIES: 4110J

SHEET 1 OF 2
Dwg 1000035

EN 13-3827
Revision E

FEATURES

- Solderless Construction
- Low VSWR
- Rugged Construction
- MIL-DTL-39030
- High Reliability

APPLICATIONS

- Mobile Networks
- Broadcast
- High Power Amplifiers
- Isolators
- Military
- Instrumentation

GENERAL DESCRIPTION

Florida RF Labs has a complete series of SMA, 3.5 mm and 2.9 mm interface compatible coaxial terminations. These terminations have low VSWR and operate at frequencies from DC to 26.5 GHz. They are ideal for both laboratory measurements and system use.



ORDERING INFORMATION

Part Identifier: 4110J

SPECIFICATIONS

1.0 ELECTRICAL

Nominal Impedance:	50 ohms
Frequency Range:	DC – 18 GHz
VSWR:	DC – 4.0 GHz 1.05:1 Max
	4.0 – 8.0 GHz 1.12:1 Max
	8.0 -12.0 GHz 1.15:1 Max
	12.0 – 18.0 GHz 1.20:1 Max
Input Power CW:	2 watts @ 25°C heat sink, derated linearly to zero power at 125°C
Peak Power:	20 watts for 10us pulse width @ 1% duty cycle

2.0 ENVIRONMENTAL

Operating Temperature:	-55°C to +125°C
Non-operating Temperature:	-55°C to +125°C
Temperature Coefficient:	+/-200 PPM / °C max
Standard Requirements:	MIL-DTL-39030

3.0 MARKING

Unit Marking: FRFL and 4110J, legibility and permanency per MIL-STD-130

4.0 QUALITY ASSURANCE

Sample Inspect Per MIL-STD-105, Level II, 1.0% AQL.
Visual and Mechanical Inspection for Conformance to Outline Drawing
Measure Resistance and VSWR
Data Retention – Standard

5.0 PACKAGING

Standard Packaging: Tube

TERMINATION COAXIAL DC-18 GHz SMA



DATA SHEET

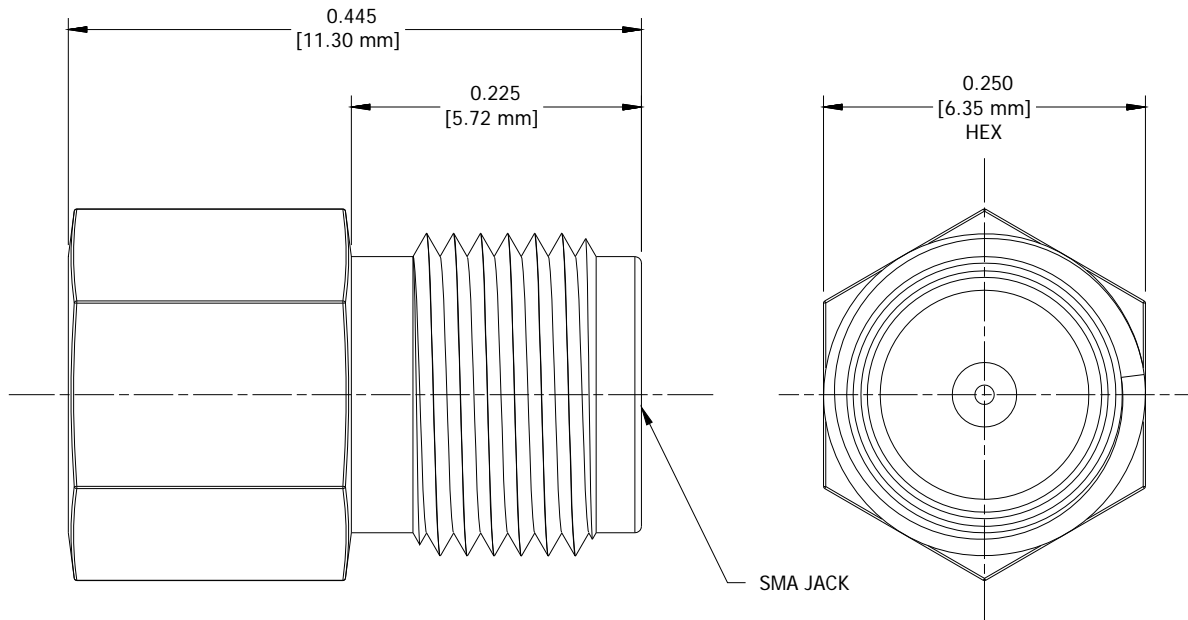
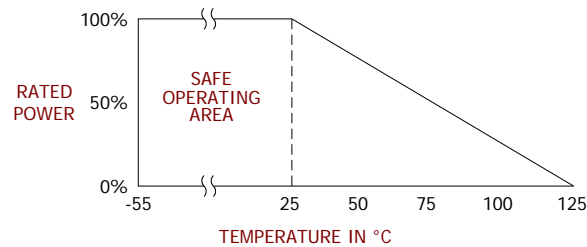
PART SERIES: 4110J

SHEET 2 OF 2
Dwg 1000035

EN 13-3827
Revision E

6.0 MECHANICAL

Body and Nut Material:	Stainless Steel
Body and Nut Finish:	Passivated
Center Contact Material:	Beryllium Copper
Center Contact Finish:	Gold
Ceramic Material:	Alumina
Dielectric:	Teflon
Resistive Element:	Thin Film
Torque:	8 in-lbs maximum
Metric Dimensions:	Provided for reference only



Unless Otherwise Specified: TOLERANCE: X.XX = ± 0.01 X.XXX = ± 0.005