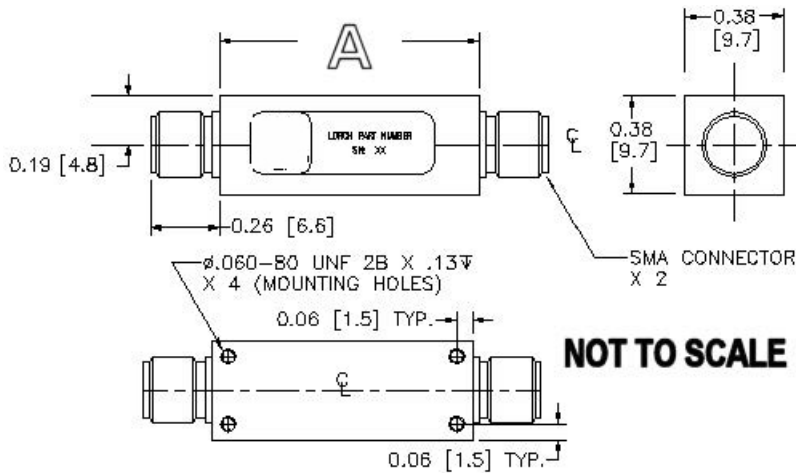


S-Band Discrete Filter

Part Number: 8BP7-3000/2000-S

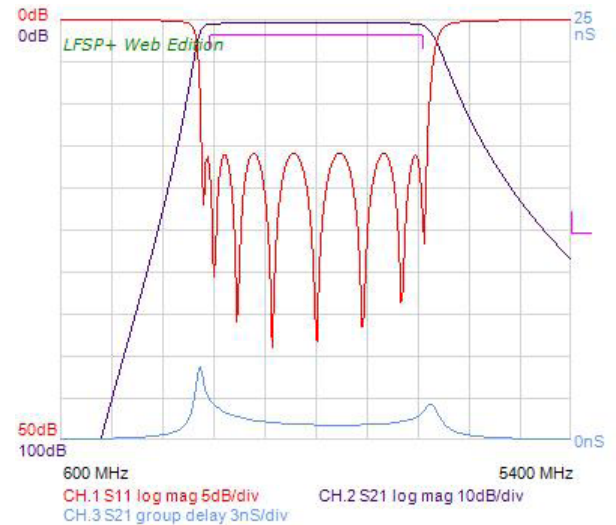
Projected Mechanics



A = 2.25" [57.15 mm]

Dimensions: Inches [Millimeters] All dimensions are approximate.

Projected Response



Important: Performance of hardware may deviate from the response shown above. However, the filter will comply with the specifications shown on the specification sheet.

Product Configuration

Part Number	8BP7-3000/2000-S
Series	Discrete Filter Series
Center Frequency	3000.00 MHz
3.0 dB Passband Bandwidth	2000.00 MHz min
Insertion Loss at Midband	0.70 dBa max.
VSWR	1.5:1 typ.
Stopband Attenuation	50 dBc min. at 5400 MHz
Power Handling	1 Watt avg.
Temperature Range	-55 to 85 deg. C
Relative Humidity	95%

Americas

Sales
focom.uscsr@smithsinterconnect.com

Technical support
focom.techsupport@smithsinterconnect.com

Europe

Sales
focom.emeacsr@smithsinterconnect.com

Technical support
focom.techsupport@smithsinterconnect.com

Asia

Sales
focom.asiacsr@smithsinterconnect.com

Technical support
focom.techsupport@smithsinterconnect.com

more > [smithsinterconnect.com](https://www.smithsinterconnect.com) | [in](#) [twitter](#) [youtube](#)