

EDD

DRAWING NO.:

12-5042

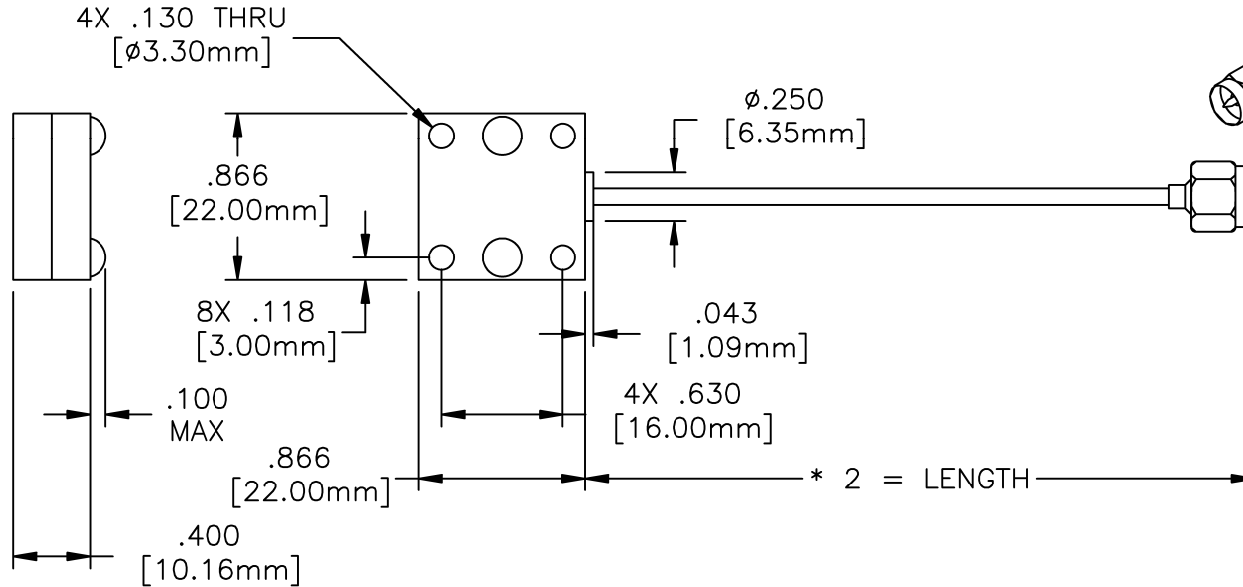
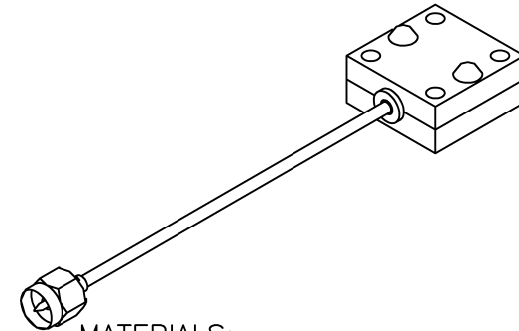
REV.

D

NOTES:

1. UNLESS OTHERWISE SPECIFIED, TOLERANCES ARE  $\pm .010"$  [.254mm].

2. FOR LENGTHS UNDER 6.00"  $\pm .050"$   
FOR 6.00" - 24.00"  $\pm .125"$




MATERIALS:

BODY: ALUMINUM PER ASTM B221  
SUBSTRATE: ALUMINUM NITRIDE  
RESISTIVE FILM: THIN FILM  
CABLE: BJ085  
CONNECTOR: SMA

FINISH:

BODY COVER: YELLOW IRRIDITE  
BODY BASE: TRI METAL  
ELECTRICAL: (TERMINATION)

NOMINAL IMPEDANCE: 50 OHMS  
FREQUENCY RANGE: DC-2.0 GHz  
VSWR (MAX): 1.08:1  
AVERAGE POWER: 60 WATTS  
DC RESISTANCE: 50  $\pm 5\%$  OHMS  
TEMPERATURE COEFFICIENT:  $\pm 200$  PPM MAX  
OPERATING TEMPERATURE:  $-55^{\circ}$  TO  $+150^{\circ}$  ( $^{\circ}\text{C}$ )

				EN# 04-F0164	APVD	DATE	REFERENCE	 8851 OLD KANSAS AVE. STUART, FL. 34997 772-286-9300			
				UNLESS OTHERWISE SPECIFIED 1. DO NOT SCALE DRAWING 2. DIMENSIONS ARE IN INCHES 3. DIMENSIONS ARE AFTER PLATING 4. CORNERS, EDGES AND FILLETS: R 5. SURFACE ROUGHNESS: 6. REMOVE ALL BURRS				MATERIAL	TITLE		
				TOLERANCES					TERMINATION, COAXIAL REMOTE, 60 WATT		
				.X $\pm$							
				.XX $\pm$	ANGLES X' $\pm$						
				.XXX $\pm$							
D	EN10-F0423	JG 3/19/10		THE INFORMATION CONTAINED HEREIN IS: (A) CONSIDERED PROPRIETARY TO FLORIDA RF LABS INC.; (B) PROTECTED BY COPYRIGHT OWNED BY FLORIDA RF LABS INC.; (C) CONSIDERED A "WORK FOR HIRE" UNDER COPYRIGHT LAW; (D) PROTECTED BY TRADE SECRET LAWS WHICH MAKE ILLEGAL THE MISAPPROPRIATION OF THIS INFORMATION; AND (E) IS TO BE USED SOLELY FOR THE PURPOSE WHICH IT IS SUPPLIED. THIS INFORMATION SHALL NOT BE DISCLOSED IN WHOLE OR IN PART, TO ANY PARTY, FOR ANY REASON WITHOUT THE EXPRESS WRITTEN CONSENT OF A QUALIFIED EXECUTIVE OF FLORIDA RF LABS INC.			SCALE	CAGE CODE ID NO.	SIZE	DRAWING NO.:	REV.
C	EN08-F0801	OJC 08/29/08		1/1	2Y194	A			12-5042	D	
B	EN07-F0475	MWS 05/14/07		MFG:	CHKD.:				DRAWN: ALM 05/06/04	SHEET OF	
A	EN07-F0220	MWS 03/07/07									
REV.	DESCRIPTION	DRAWN	APVD.								