

TITLE: SPECIFICATION CONTROL DRAWING

PART IDENTIFIER: CT1206ALNF

DESCRIPTION: CHIP TERMINATION, ALUMINUM NITRIDE LEAD FREE PLATING

ASSEMBLY DWG: 1101664

1.0 SPECIFICATIONS:

- 1.1 ELECTRICAL:
 - 1.1.1 IMPEDANCE: 50Ω NOMINAL.
 - 1.1.2 FREQUENCY: DC - 4 GHZ.
 - 1.1.3 VSWR: 1.25:1 MAX.
 - 1.1.4 INPUT POWER:
 - 1.1.4.1 HEAT SINK 100°C: 15 WATTS. (DERATE POWER LINEARLY TO 0 WATTS @ 125°C)
- 1.2 MECHANICAL:
 - 1.2.1 OUTLINE DWG: SEE SHEET 2.
- 1.3 ENVIRONMENTAL:
 - 1.3.1 TEMPERATURE RANGE:
 - 1.3.1.1 NON-OPERATING: -55°C TO +150°C.
 - 1.3.1.2 OPERATING: -55°C TO +125°C.

2.0 UNIT MARKING: NONE.

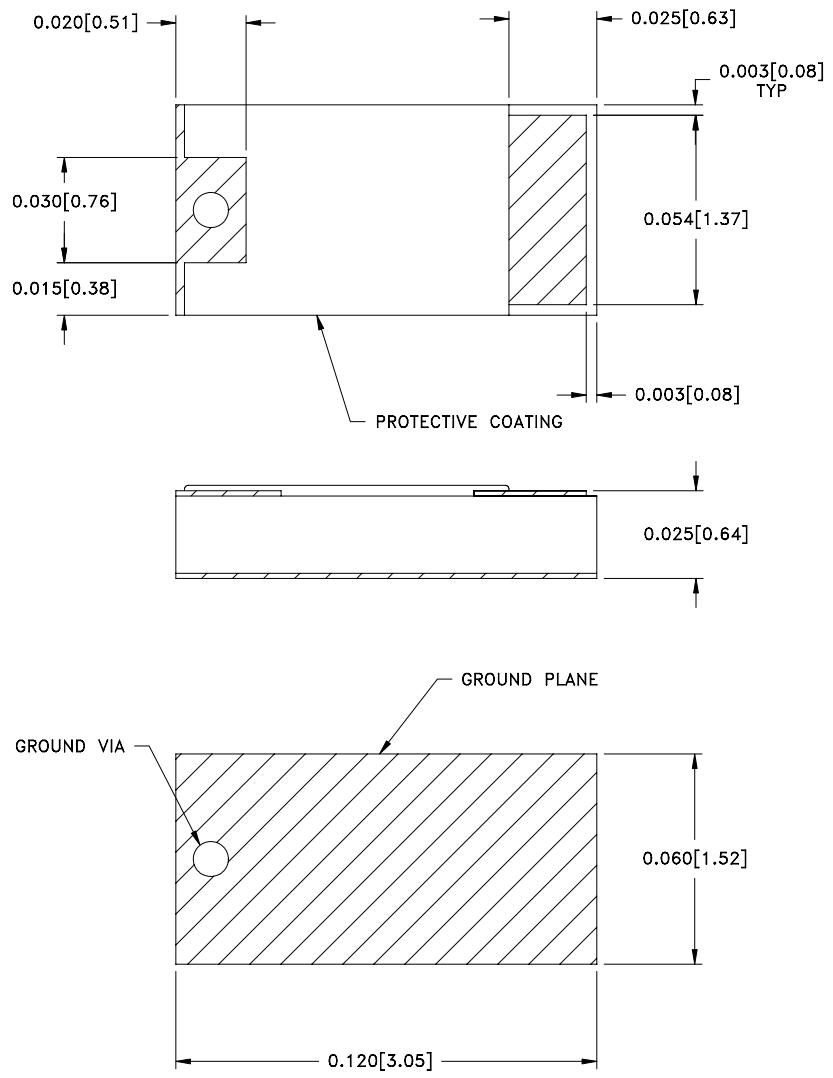
3.0 QUALITY ASSURANCE:

- 3.1 SAMPLE INSPECT PER ANSI/ASQC Z1.4 GENERAL INSPECTION, LEVEL II, AQL = 1.0.
 - 3.1.1 VISUAL AND MECHANICAL PER 824W154.
- 3.2 DC RESISTANCE: 50Ω ± 5%.
- 3.3 DATA REQUIREMENTS:
 - 3.3.1 NO TEST DATA REQUIRED FOR CUSTOMER.
 - 3.3.2 DATA RETENTION - STANDARD.

4.0 PACKAGING: STANDARD BULK PACK PER 755W002.

EMC TECHNOLOGY 8851 SW OLD KANSAS AVE. STUART, FL 34997	CAGE CODE # 24602		DWG #	1010145000
	CHANGE NOTICE	EN 08-E0399	REV LVL	B
			SHEET	1 OF 2

PART ID REF
CT1206ALNF



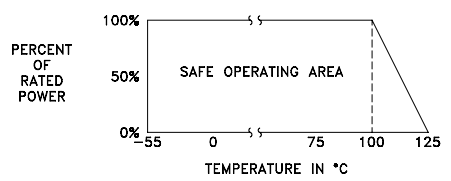
MECHANICAL SPECIFICATION:

SUBSTRATE:
 MATERIAL - ALUMINUM NITRIDE, MIL-I-10.
 TERMINALS & GROUND PLANE:
 MATERIAL - THICK FILM

METRIC EQUIVALENTS GIVEN IN [mm]
 FOR REFERENCE INFORMATION ONLY

RESISTIVE ELEMENT:
 MATERIAL - THICK FILM.

POWER RATING AND DERATING



<p>8851 SW OLD KANSAS AVE STUART, FL 34997 PHONE NO. (772)286-9300 FAX NO. (772)283-5286</p>	UNLESS OTHERWISE SPECIFIED DIMENSIONS ARE IN INCHES TOLERANCES FRACT --- -- ANG --- -- XX --- -- XXX ±0.005 XXXX --- --	THESE DRAWINGS AND SPECIFICATIONS ARE THE PROPERTY OF EMC TECHNOLOGY INC AND SHALL NOT BE DUPLICATED OR USED AS BASIS FOR THE MANUFACTURE OR SALE OF PARTS OR DEVICES WITHOUT PERMISSION.				
	CAGE CODE 24602	SCALE 30:1	DRAWN BY JG 5/27/08	CHECKED BY	APPROVED BY	
	REV B	CHANGE NOTICE EN 08-E0399	DRAWING NO 1010145000	SHEET 2 OF 2		