

EDD

CAD#12-0026

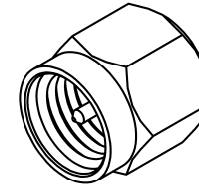
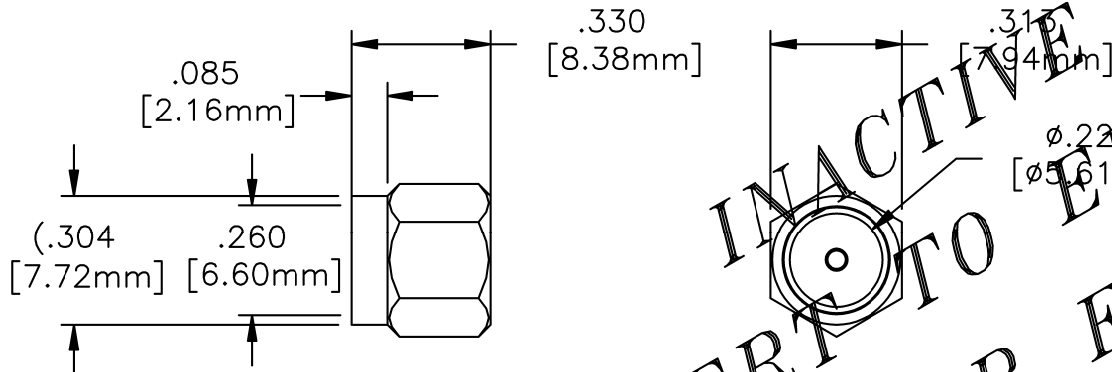
DRAWING NO.:

12-0026

REV.

N/C

NOTES:
UNLESS OTHERWISE SPECIFIED, TOLERANCES ARE $\pm .010$ " [.254mm].



INACTIVE
 CONVERT TO EMC ROD.
 REF. ECR F023-08

MATERIALS:


BODY & COUPLING NUT: STAINLESS STEEL, PER QQ-S-764
 CONTACT: BERYLLIUM COPPER PER ASTM B196
 RESISTIVE FILM: NICHROME

FINISH:

BODY: GOLD PER MIL-G-45204
 CONTACT: GOLD PER MIL-G-45204
 COUPLING NUT: PASSIVATE PER QQ-P-35B

ELECTRICAL: (TERMINATION)

NOMINAL IMPEDANCE: 50 OHMS
 FREQUENCY RANGE: DC-18 GHz
 VSWR (MAX): 1.30:1
 AVERAGE POWER : 2 WATTS
 DC RESISTANCE: 50.0 \pm 5% OHMS
 TEMPERATURE COEFFICIENT: \pm 200 PPM MAX
 OPERATING TEMPERATURE: -55° TO +150° (°C)

				EN# 04-F0164	APVD	DATE	REFERENCE		 8851 OLD KANSAS AVE. STUART, FL. 34997 772-286-9300		
				UNLESS OTHERWISE SPECIFIED			-		TITLE TERMINATION, SMA PLUG, 2 WATT		
				1. DO NOT SCALE DRAWING 2. DIMENSIONS ARE IN INCHES 3. DIMENSIONS ARE AFTER PLATING 4. CORNERS, EDGES AND FILLETS: R MAX 5. SURFACE ROUGHNESS: 6. REMOVE ALL BURRS			-				
				TOLERANCES			-				
				.X \pm .XX \pm .XXX \pm ANGLES X° \pm			-				
				THE INFORMATION CONTAINED HEREIN IS: (A) CONSIDERED PROPRIETARY TO FLORIDA RF LABS INC.; (B) PROTECTED BY COPYRIGHT OWNED BY FLORIDA RF LABS INC.; (C) CONSIDERED A "WORK FOR HIRE" UNDER COPYRIGHT LAW; (D) PROTECTED BY TRADE SECRET LAWS WHICH MAKE ILLEGAL THE MISAPPROPRIATION OF THIS INFORMATION; AND (E) IS TO BE USED SOLELY FOR THE PURPOSE WHICH IT IS SUPPLIED. THIS INFORMATION SHALL NOT BE DISCLOSED IN WHOLE OR IN PART, TO ANY PARTY, FOR ANY REASON WITHOUT THE EXPRESS WRITTEN CONSENT OF A QUALIFIED EXECUTIVE OF FLORIDA RF LABS INC.			SCALE	CAGE CODE ID NO.	SIZE	DRAWING NO.:	REV.
							2/1	2Y194	A	12-0026	N/C
REV.	DESCRIPTION	DRAWN	APVD.	MFG:		CHKD.:		DRAWN: ALM 04/21/04		SHEET OF	