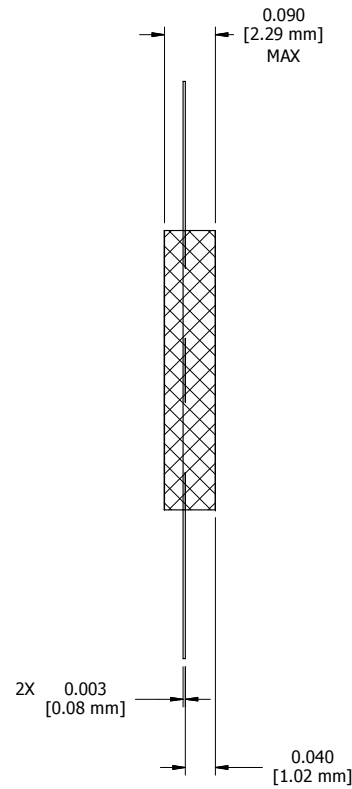
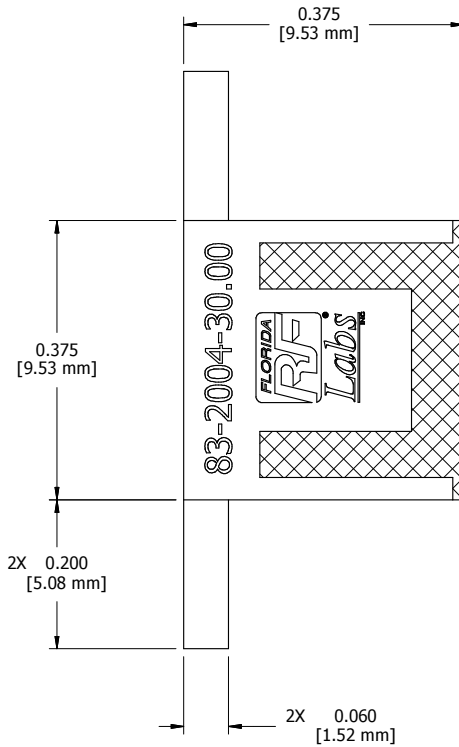
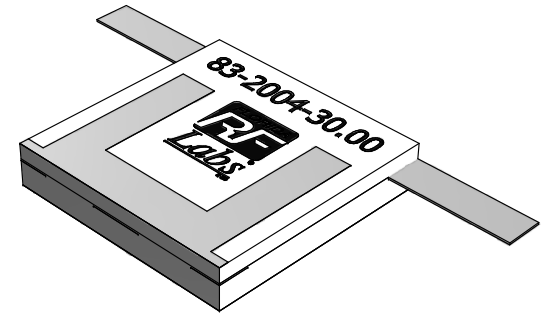


EDD



MATERIALS:
 SUBSTRATE: BERYLLIUM OXIDE
 COVER: ALUMINA
 TAB: BERYLLIUM COPPER PER ASTM B194
 RESISTIVE FILM: NICHROME

FINISH:
 TAB: TIN LEAD PLATED

ELECTRICAL:
 NOMINAL IMPEDANCE: 50 OHMS
 FREQUENCY RANGE: DC - 2.0 GHz
 TEMPERATURE COEFFICIENT: ± 200 PPM/°C MAX
 OPERATING TEMPERATURE: -55°C TO 150°C
 VSWR (MAX): 1.18:1 DC - 1.0 GHz
 1.45:1 1.0 - 2.0 GHz
 INPUT POWER: 100 WATTS
 ATTENUATION STABILITY: .0001 dB/dB/°C
 ATTENUATION ACCURACY: 30 ± 1dB

 INC. INC. 8851 SW OLD KANSAS AVE STUART, FL 34997 PHONE NO. (772) 286-9390 FAX NO. (772) 283-5286	UNLESS OTHERWISE SPECIFIED 1. DO NOT SCALE DRAWING 2. DIMENSIONS ARE IN INCHES 3. DIMENSIONS ARE AFTER PLATING 4. CORNERS, EDGES AND FILLETS: R 0.005 MAX 5. SURFACE ROUGHNESS: 63 6. REMOVE ALL BURRS	TITLE																								
	ATTENUATOR, CHIP, 100 WATT, 30.00 dB																									
THESE DRAWINGS AND SPECIFICATIONS ARE THE PROPERTIES OF EMC TECHNOLOGY AND FLORIDA RF LABS AND SHALL NOT BE DUPLICATED OR USED AS BASIS FOR THE MANUFACTURE OR SALES OF PARTS OR DEVICES WITHOUT PERMISSION. REFERENCE / MACOLA NO. / PART NO.	TOLERANCES X.XX ± 0.01 X.XXX ± 0.010 FRACTIONS ± 1/16 X.XXXX ± 0.0005 ANGLES ± 5'	DRAWING NUMBER 83-2004-30.00																								
<table border="1"> <tr> <th>C</th> <th>7/3/13</th> <th>TS</th> <th>13-2098</th> </tr> <tr> <th>REV</th> <th>DATE</th> <th>BY</th> <th>EN NUMBER</th> </tr> <tr> <td colspan="4" style="text-align: center;">REVISION</td> </tr> </table>	C	7/3/13	TS	13-2098	REV	DATE	BY	EN NUMBER	REVISION				<table border="1"> <tr> <th>MATERIAL</th> <th>FINISH</th> <th>EMC CAGE CODE</th> <th>RF CAGE CODE</th> <th>PLOT SCALE</th> <th>SHEET</th> </tr> <tr> <td>-</td> <td>-</td> <td>24602</td> <td>2Y194</td> <td>-</td> <td>1 OF 1</td> </tr> </table>	MATERIAL	FINISH	EMC CAGE CODE	RF CAGE CODE	PLOT SCALE	SHEET	-	-	24602	2Y194	-	1 OF 1	
C	7/3/13	TS	13-2098																							
REV	DATE	BY	EN NUMBER																							
REVISION																										
MATERIAL	FINISH	EMC CAGE CODE	RF CAGE CODE	PLOT SCALE	SHEET																					
-	-	24602	2Y194	-	1 OF 1																					