

HIGH POWER ATTENUATOR CHIP 20 WATT



DATA SHEET

PART SERIES: HPCA54XX.00W3

SHEET 1 OF 3
Dwg 1009125

EN 16-0840
Revision F

FEATURES

- Small Footprint
- High Power
- Surface Mount
- Low VSWR
- Easy Installation
- Wide Attenuation Offering

APPLICATIONS

- Mobile Networks
- Broadcast
- High Power Amplifiers
- Isolators/Circulators
- Military
- Instrumentation



GENERAL DESCRIPTION

EMC Technology offers the widest selection of chip attenuators worldwide. Chip components are offered in Alumina, Aluminum Nitride, Beryllium Oxide, and CVD diamond for maximum performance.

ORDERING INFORMATION

Part Identifier: HPCA54XX.00W3
(XX) – dB Value

SPECIFICATIONS

1.0 ELECTRICAL

Nominal Impedance:	50 ohms
Frequency Range:	DC – 2.5 GHz
Attenuation Values Available:	1 – 10 and 20 in 1 dB increments
Attenuation Accuracy:	0 dB -0.0 / + 0.25 dB 1 – 10 dB \pm 0.5 dB 20 dB \pm 1.0 dB
Input Power CW:	20 Watts full rated power to 125°C, derated linearly to 0 watts at 150°C.
Peak Power:	50 watts for 10us pulse width @ 1% duty cycle.
VSWR:	DC – 1 GHz - 1.15:1 1.1 – 2.5 GHz - 1.35:1

2.0 ENVIRONMENTAL

Operating Temperature:	-55°C to +150°C
Non-operating Temperature:	-65°C to +150°C

3.0 MARKING

Unit Marking:	“dB Value”
---------------	------------

4.0 QUALITY ASSURANCE

Sample Inspect Per MIL-STD-105, Level II, 1.0% AQL₂

- Visual and Mechanical Inspection for Conformance to Outline Drawing
- Measure Attenuation and VSWR
- Data Retention - Standard

HIGH POWER ATTENUATOR CHIP 20 WATT



DATA SHEET

PART SERIES: HPCA54XX.00W3

SHEET 2 OF 3
Dwg 1009125

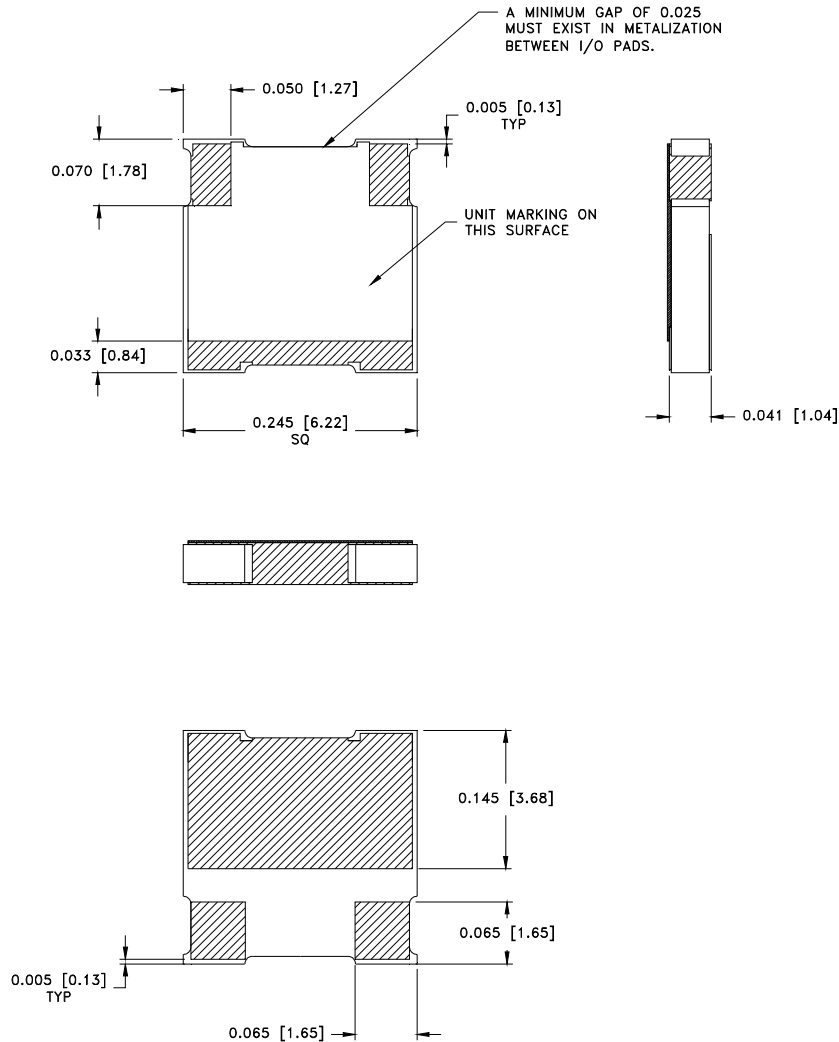
EN 16-0840
Revision F

5.0 PACKAGING

Standard Packaging: Tape and Reel

6.0 MECHANICAL

Substrate: Beryllia
 Resistive Film: Thick Film
 Terminal Material: Thick Film, Nickel Barrier, Solder Plated
 Metric Dimensions: Provided for reference only
 Workmanship: PER MIL-R-55342



Unless Otherwise Specified: TOLERANCE: X.XXX = ± 0.005

HIGH POWER ATTENUATOR CHIP 20 WATT



DATA SHEET

PART SERIES: HPCA54XX.00W3

SHEET 3 OF 3
Dwg 1009125

EN 16-0840
Revision F

7.0 SUGGESTED MOUNTING FOOTPRINT

Part Number	Inches						mm					
	A	B	C	D	S	W	A	B	C	D	S	W
HPCA54XX.00W3	0.067	0.067	0.115	0.150	0.035	0.250	1.70	1.70	2.92	3.81	0.89	6.35

