

TITLE: SPECIFICATION CONTROL DRAWING

PART IDENTIFIER: TS0500WB1 KIT

DESCRIPTION: CHIP ATTENUATOR KIT
1 THRU 10DB IN 1DB INCREMENTS, 5 PIECES EACH.

ASSEMBLY DWG: N/A

1.0 SPECIFICATIONS

1.1 ELECTRICAL

- 1.1.1 IMPEDANCE: 50 OHMS NOMINAL.
- 1.1.2 FREQUENCY RANGE: DC-18GHZ
- 1.1.3 ATTENUATION ACCURACY: ±0.5DB @ 1 GHZ.
- 1.1.4 VSWR: 1.30 MAX.
- 1.1.5 INPUT POWER: 100 MILLIWATTS CW.
 - 1.1.5.1 FULL RATED POWER TO 125°C, DERATED LINEARLY TO 0 WATTS AT 150°C.
 - 1.1.5.2 PEAK POWER, 1 WATTS FOR 10US PULSE WIDTH @ 1% DUTY CYCLE.

1.2 MECHANICAL:

- 1.2.1 OUTLINE DWG: SEE SHEET 2, FIGURE 1.
- 1.2.2 WORKMANSHIP: PER MIL-R-55342.

1.3 ENVIRONMENTAL:

- 1.3.1 ALTITUDE:
 - 1.3.1.1 NON-OPERATING: SEA LEVEL TO 50,000 FEET.
 - 1.3.1.2 OPERATING: SEA LEVEL TO 50,000 FEET.
- 1.3.2 TEMPERATURE RANGE:
 - 1.3.2.1 NON-OPERATING: -55 C TO +150 C.
 - 1.3.2.2 OPERATING -55°C TO +150°C.
- 1.3.3 VIBRATION: PER MIL-STD-202, METHOD 204, COND. D
- 1.3.4 SHOCK: PER MIL-STD-202, METHOD 213, COND. I.
- 1.3.5 MOISTURE RESISTANCE: PER MIL-STD-202, METHOD 106 EXCEPT SUBCYCLE STEPS 7A AND 7B AND POLARIZATION AND LOAD ARE NOT APPLICABLE.

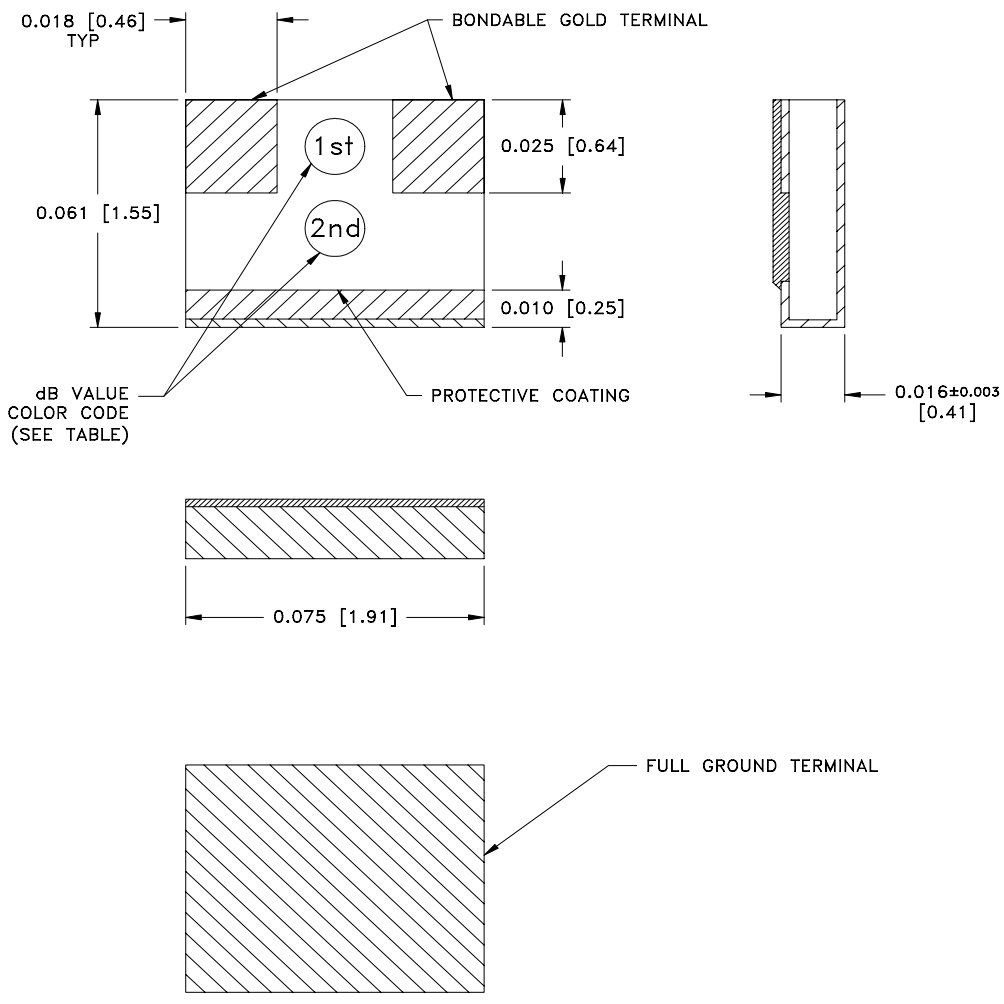
2.0 UNIT MARKING MARK ONLY WITH COLOR DOT. LEGIBILITY AND PERMANENCY PER MIL-STD-130.

3.0 QUALITY ASSURANCE: N/A

4.0 PACKAGING: STANDARD WAFFLE PACK PER MC0023.

EMC TECHNOLOGY 8851 SW OLD KANSAS AVE. STUART, FL 34997	CAGE CODE # 24602		DWG #	1005635000
	CHANGE NOTICE	EN 04-E231	REV LVL	C
			SHEET	1 OF 2

PART ID REF
TSO5XXWB1 KIT



MECHANICAL SPECIFICATIONS:
TSO5XXWB1 CHIP ATTENUATOR.

REFERENCE TABLE		
dB VAL	DOT COLOR	
	1st	2nd
1	BRN	---
2	RED	---
3	ORG	---
4	YEL	---
5	GRN	---
6	BLU	---
7	VIO	---
8	GRY	---
9	WHT	---
10	BRN	BLK



METRIC EQUIVALENTS GIVEN IN [mm]
FOR REFERENCE INFORMATION ONLY

 8851 SW OLD KANSAS AVE STUART, FL 34997 PHONE NO. (772)286-9300 FAX NO. (772)283-5286	UNLESS OTHERWISE SPECIFIED DIMENSIONS ARE IN INCHES	THESE DRAWINGS AND SPECIFICATIONS ARE THE PROPERTY OF EMC TECHNOLOGY INC AND SHALL NOT BE DUPLICATED OR USED AS BASIS FOR THE MANUFACTURE OR SALE OF PARTS OR DEVICES WITHOUT PERMISSION.					
	TOLERANCES	CAGE CODE	SCALE	DRAWN BY	CHECKED BY	APPROVED BY	
	FRACT --- -- ANG --- -- XX --- -- XXX ±0.005 XXXX --- --	24602	32:1	EMV	CSS 2-9-99	DAR 2-9-99	
		REV C	CHANGE NOTICE EN 99-038	DRAWING NO 1005635000	SHEET 2 OF 2		