

TITLE: SPECIFICATION CONTROL DRAWING

PART IDENTIFIER: WTVASMTF-DKIT

5 PCS = WTVA0300N07SMTF
5 PCS = WTVA0600N07SMTF

5 PCS = WTVA0400N07SMTF

5 PCS = WTVA0500N07SMTF

DESCRIPTION: TEMPERATURE VARIABLE CHIP ATTENUATOR DESIGN KIT.

ASSEMBLY DWG: 2403094

1.0 SPECIFICATIONS:

- 1.1 ELECTRICAL:
 - 1.1.1 IMPEDANCE: 50 OHMS NOMINAL.
 - 1.1.2 OPERATING FREQUENCY RANGE: DC – 20 GHZ.
 - 1.1.3 ATTENUATION VALUES AVAILABLE: 3, 4, 5, 6.
 - 1.1.4 ATTENUATION ACCURACY AT 25°C:
 - 3-4 dB DC-20 GHz ± 0.5 dB
 - 5-6 dB DC-15 GHz ± 0.5 dB
 - 15-20 GHz ± 0.75 dB
 - 1.1.5 VSWR: 1.40:1 TYP, 1.70:1 MAX @ 25°C.
 - 1.1.6 INPUT POWER: 200 MILLIWATTS CW.
 - 1.1.6.1 FULL RATED POWER TO 125°C, DERATED LINEARLY TO 0 WATTS AT 150°C.
 - 1.1.7 TEMPERATURE COEFFICIENT OVER OPERATING TEMPERATURE RANGE: -.007 DB/DB/°C
TEMPERATURE COEFFICIENT TOLERANCE: ±0.001 DB/DB/°C.
- 1.2 MECHANICAL:
 - 1.2.1 OUTLINE DWG: SEE SHEET 2.
 - 1.2.2 WORKMANSHIP: PER MIL-PRF-55342.
- 1.3 ENVIRONMENTAL:
 - 1.3.1 OPERATING TEMPERATURE RANGE: -55°C TO +150°C

2.0 UNIT MARKING: NONE

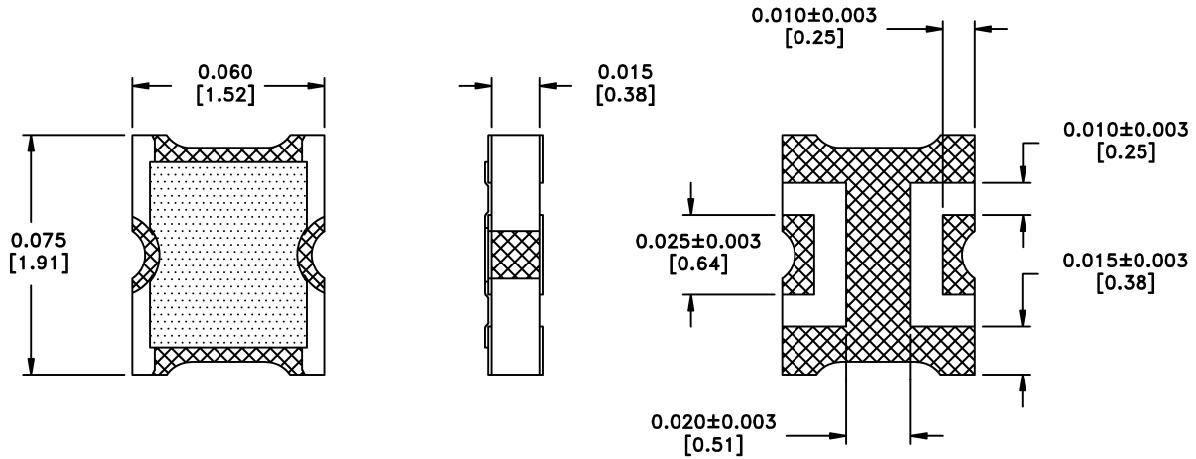
3.0 QUALITY ASSURANCE:

- 3.1 SAMPLE INSPECT PER ANSI/ASQC Z1.4 GENERAL INSPECTION, LEVEL II, AQL = 1.0.
 - 3.1.1 VISUAL AND MECHANICAL EXAMINATION FOR CONFORMANCE TO OUTLINE DRAWING REQUIREMENTS.
- 3.2 SAMPLE INSPECTION (DESTRUCTIVE TESTING).
 - 3.2.1 SELECT THREE (3) UNITS FROM LOT AND MEASURE DCA EVERY 20°C OVER THE TEMPERATURE RANGE -55°C TO +125°C.
 - 3.2.1.1 CALCULATE, USING LINEAR REGRESSION, THE SLOPE OF THE CURVE.
 - 3.2.1.2 CALCULATE TCA USING THE FOLLOWING FORMULA:

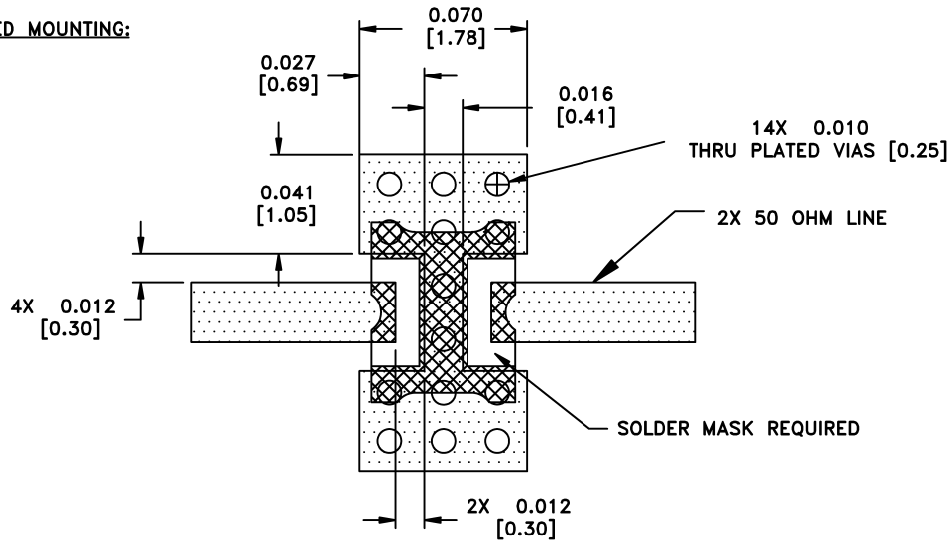
$$TCA = \frac{SLOPE}{ATTENUATION @ 25^{\circ}C}$$
 - 3.2.1.3 ACCEPTANCE LIMITS: PER 1.1.7.
- 3.3 INSPECTION IN ACCORDANCE WITH 824W170 AND 824F036 FOR COMMERCIAL GRADE PRODUCT.
- 3.4 TEST DATA REQUIREMENTS:
 - 3.4.1 NO TEST DATA REQUIRED FOR CUSTOMER.
 - 3.4.2 DATA RETENTION - 24 MONTHS.

4.0 PACKAGING: STANDARD PACK PER 755W002.

EMC TECHNOLOGY 8851 SW OLD KANSAS AVE. STUART, FL 34997	CAGE CODE # 24602		DWG #	1012345000
	CHANGE NOTICE	EN 10-0789	REV LVL	-
			SHEET	1 OF 2



SUGGESTED MOUNTING:

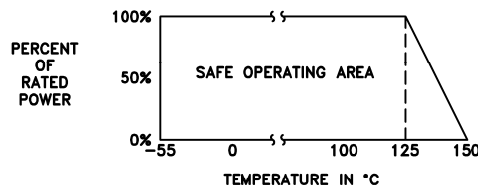


MECHANICAL SPECIFICATIONS:

SUBSTRATE:
 MATERIAL - ALUMINA 96%, MIL-I-10.
TERMINAL:
 MATERIAL - THICK FILM, LEAD FREE PLATING
 ROHS COMPLIANT.
RESISTIVE ELEMENT:
 MATERIAL - THICK FILM.

METRIC EQUIVALENTS GIVEN IN [mm]
 FOR REFERENCE INFORMATION ONLY

POWER RATING AND DERATING



8851 SW OLD KANSAS AVE
 STUART, FL 34997
 PHONE NO. (772)286-9300
 FAX NO. (772)283-5286

UNLESS OTHERWISE SPECIFIED DIMENSIONS ARE IN INCHES
TOLERANCES
 FRACT --- ---
 ANG --- ---
 XX --- ---
 XXX ±0.005
 XXXX --- ---

THESE DRAWINGS AND SPECIFICATIONS ARE THE PROPERTY OF EMC TECHNOLOGY INC AND SHALL NOT BE DUPLICATED OR USED AS BASIS FOR THE MANUFACTURE OR SALE OF PARTS OR DEVICES WITHOUT PERMISSION.

CAGE CODE	SCALE	DRAWN BY	CHECKED BY	APPROVED BY
24602	25:1	JG 6/14/10		
REV	CHANGE NOTICE	DRAWING NO	SHEET	
-	EN 10-0789	1012345000	2 OF 2	